

**DETAIL AT WOOD FENCE END FLARE**

Approved By: *[Signature]*  
 City Engineer, EMH&T Inc.  
*[Signature]*  
 City Service Director

STANDARD DIMENSIONS  
 FOR

**TIMBER PEDESTRIAN FENCE**

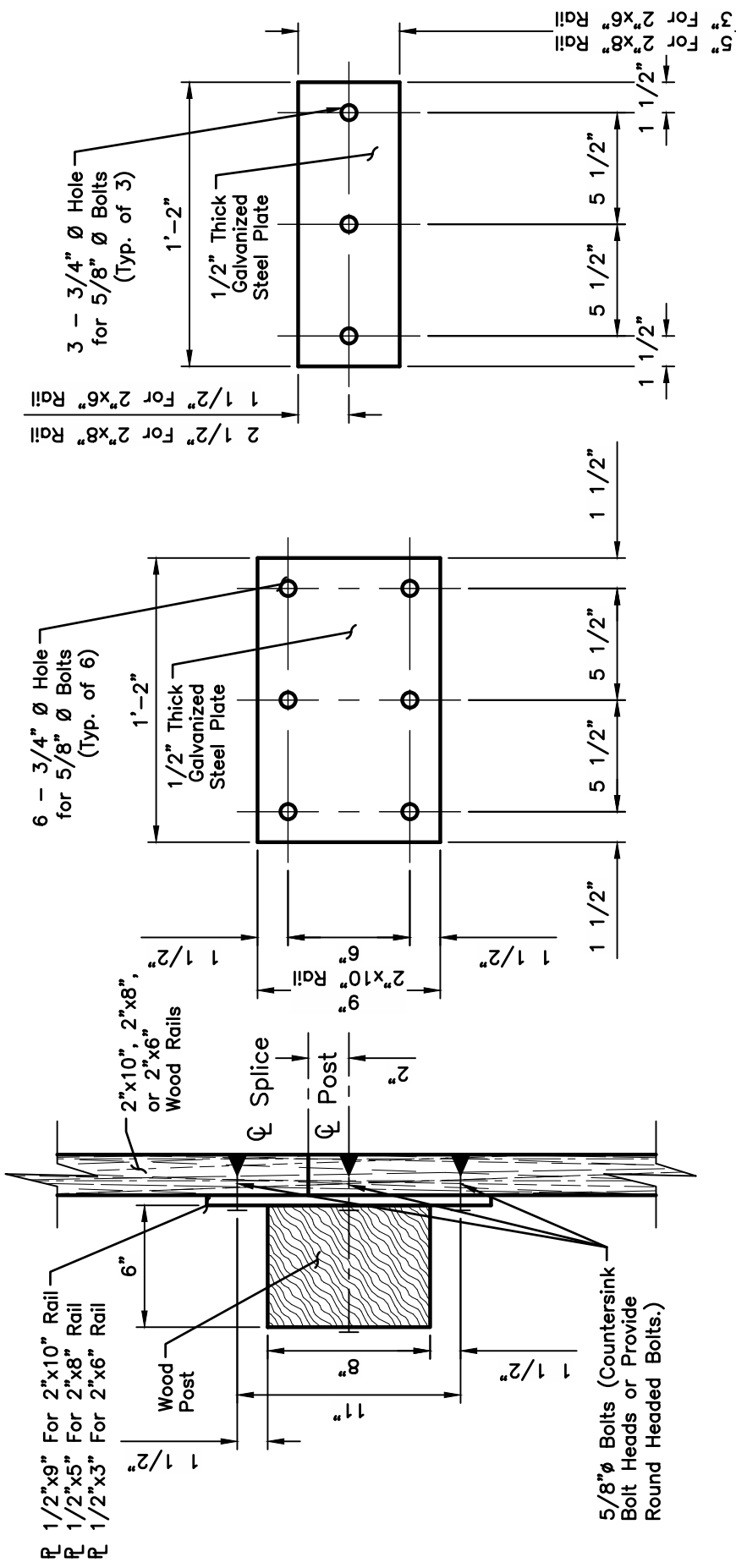
**CITY OF  
 GROVE CITY, OHIO**

STANDARD  
 CONSTRUCTION DRAWING

Revised February 2016 Sheet Drawing No.

1/4

C-GC-97



**PLAN VIEW OF WOOD FENCE RAIL POST SPlice DETAIL**

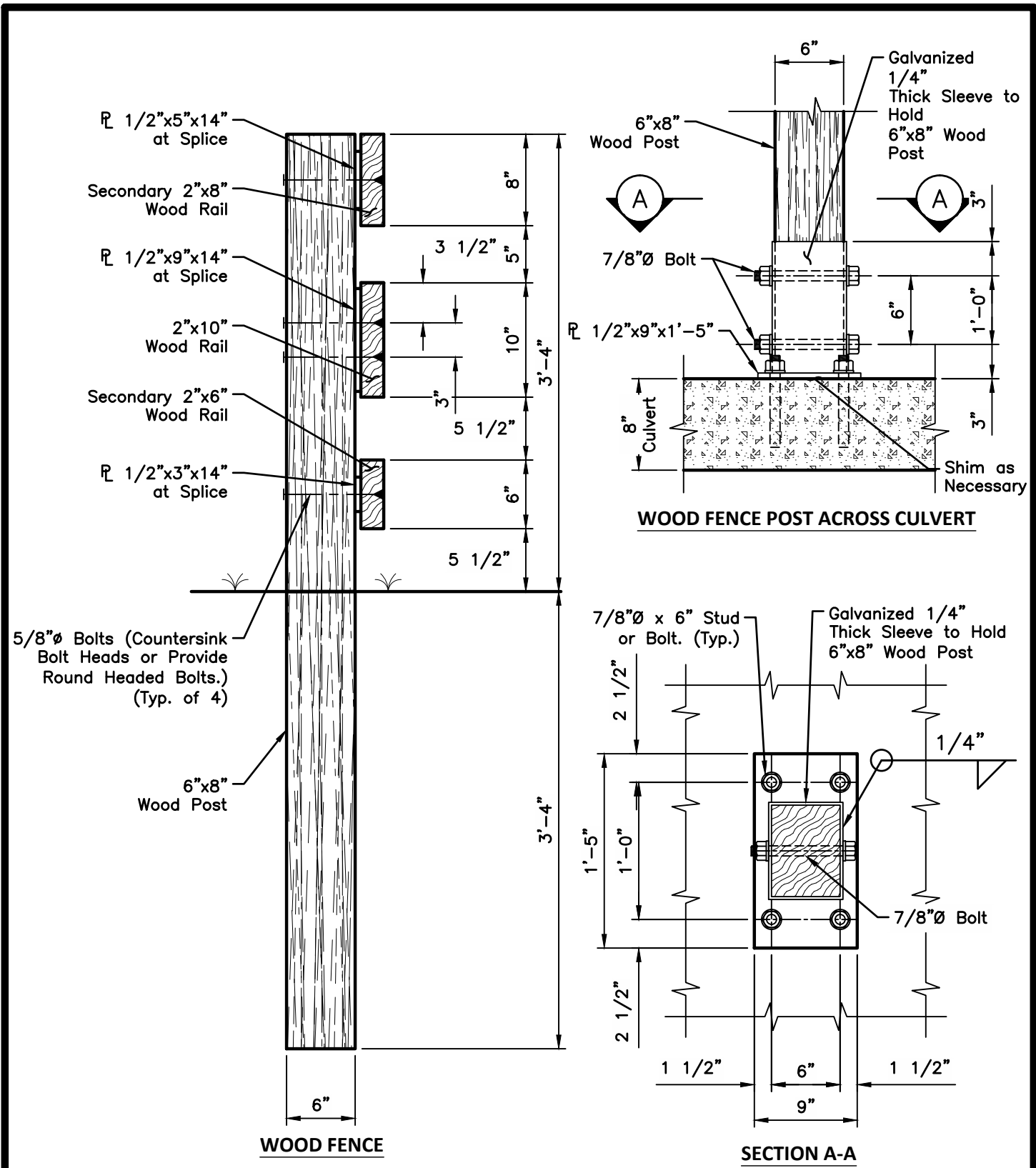
**WOOD FENCE CENTER RAIL SPlice PLATE DETAIL**

**WOOD FENCE SECONDARY RAIL SPlice PLATE DETAIL**

Approved By: *[Signature]*  
 City Engineer, EMR&T Inc  
*[Signature]*  
 City Service Director

STANDARD DIMENSIONS FOR  
**TIMBER PEDESTRIAN FENCE**

|                                 |             |
|---------------------------------|-------------|
| <b>CITY OF GROVE CITY, OHIO</b> |             |
| STANDARD CONSTRUCTION DRAWING   | Drawing No. |
| Revised February 2016           | Sheet 2/4   |
|                                 | C-GC-97     |



Approved By:  
  
 City Engineer, EMH&T Inc.  
  
 City Service Director

STANDARD DIMENSIONS  
 FOR  
**TIMBER PEDESTRIAN  
 FENCE**


**CITY OF  
 GROVE CITY, OHIO**

STANDARD  
 CONSTRUCTION DRAWING

|               |       |             |
|---------------|-------|-------------|
| Revised       | Sheet | Drawing No. |
| February 2016 | 3/4   | C-GC-97     |

**NOTES:**

1. Details provided on this drawing refer to the wood fence and the secondary wood pedestrian rails on the modified Steel-backed Timber Pedestrian Fence. For details of the modified Steel-backed Timber Pedestrian Fence, including but not limited to the timber post, 6 x 10 timber rail, hardware, material and installation refer to FHWA standard drawings 617-60, 617-61 and 617-63.
2. Upon completion of construction and when dry, 2 coats of a water repellent stain/sealer for wood shall be applied to all exposed wood surfaces. Water Repellent shall be Behr DECKplus Solid Color Waterproofing Wood Stain No. 213 Deep Base or approved equal.
3. This detail shall not be used as a substitute for guardrail and/or in areas where guardrail is required by Federal Highway Administration and/or Ohio Department of Transportation Specifications and guidelines.
4. **WOOD FENCE AND SECONDARY RAILING ON TIMBER PEDESTRIAN FENCE**  
Horizontal wood railing and 8"x6" wood fence posts shall be nominal sizes. all wood for fence and secondary railing components shall be pressure treated southern yellow pine #1 grade.  
  
When field cutting wood, treat the exposed cut surface with bituminous asphalt based roof cement, copper naphthenate paste, or approved preservation system.
5. **MATERIALS**  
Wood railing shall conform to ODOT specification 710.14 and 712.06. Wood components reclaimed from use in another application shall not be permitted. Wood components that meet material specifications listed but have been in storage for more than one year will also not be allowed. Wood components that meet material specifications listed but are subsequently sawn down to meet plan component cross section dimensions shall be pressure treated again after resizing and prior to placement as shown on the plans.  
  
All steel plate shall conform to ASTM-A572 with minimum yield strength of 50 ksi. All steel components shall be galvanized in accordance with ASTM-A123 or ASTM-153 and rated for corrosion protection for use in ACQ treated lumber. All anchor bolts, nuts, washers and studs for the wood fence shall conform to the physical properties of ASTM-A325 except that elongation shall be 10%. The chemical properties are waived. All anchor bolts, nuts, washers and studs for the Steel-Backed Reinforced Fence, including those in the secondary rail, shall be weathering steel and conform to the specifications noted in the FHWA Standard Drawing 617-60.
6. **WOOD COMPONENT PREVENTATIVE MAINTENANCE**  
For long term durability it is strongly recommended that the owner periodically re-apply the water repellent sealer listed in note 2 to all exposed wood surfaces. The frequency of maintenance will be dependent on sound judgement in conjunction with the manufacturer's instructions and recommendations of the selected sealer.

|   |  |  |              |                        |
|---|--|--|--------------|------------------------|
| <p>Approved By:</p> <br>City Engineer, EMH&T Inc | <p>STANDARD DIMENSIONS<br/>FOR</p> <p><b>TIMBER PEDESTRIAN<br/>FENCE</b></p> | <p><b>CITY OF<br/>GROVE CITY, OHIO</b></p> |              |                        |
|   |  | <p>STANDARD<br/>CONSTRUCTION DRAWING</p>   |              |                        |
|   |  | Revised<br>February 2016                   | Sheet<br>4/4 | Drawing No.<br>C-GC-97 |