

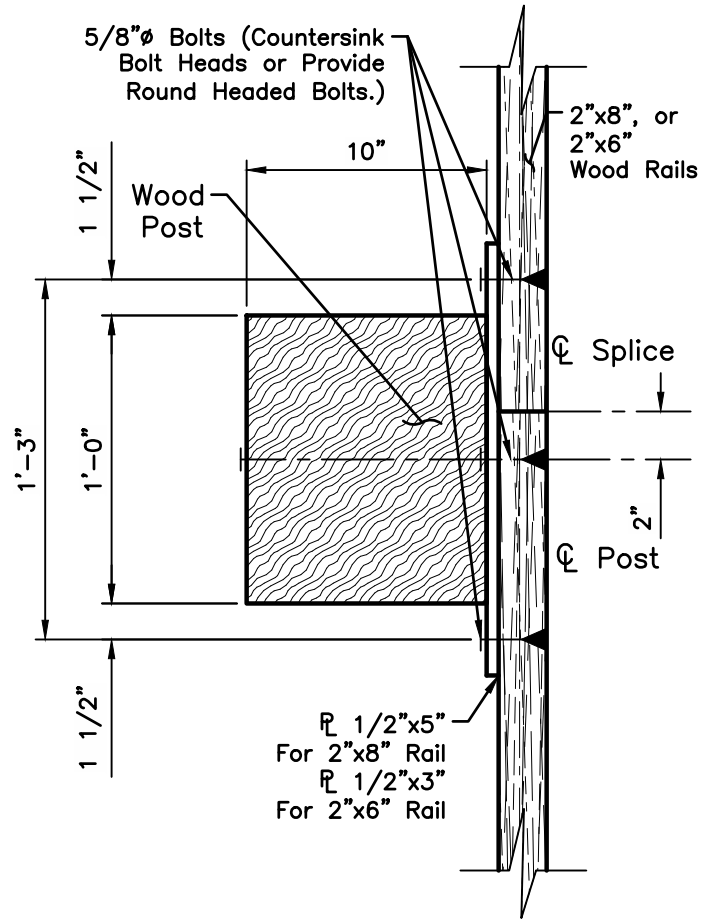


REINFORCED FENCING

STANDARD DIMENSIONS
FOR
REINFORCED FENCE

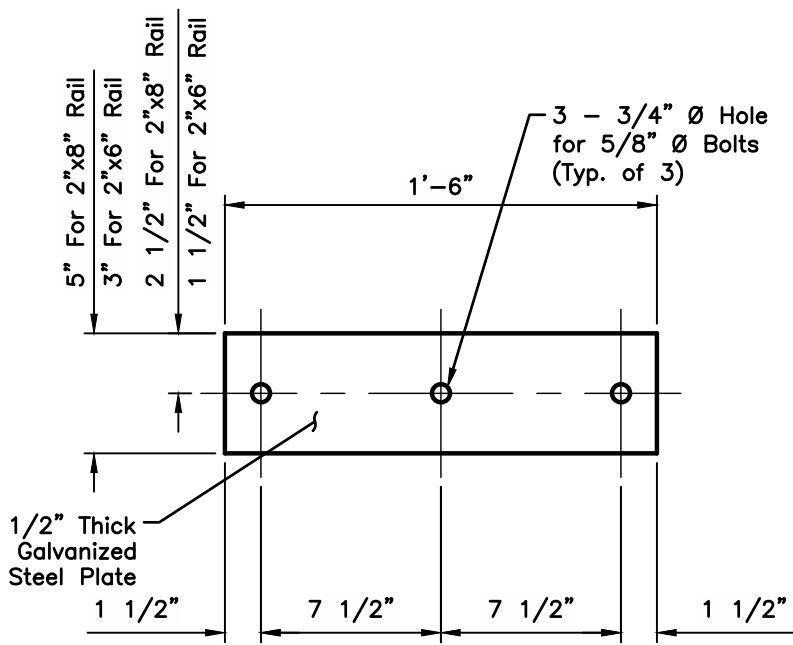
Approved By:

 City Engineer, EMH&F Inc.

 City Service Director

CITY OF GROVE CITY, OHIO	
STANDARD CONSTRUCTION DRAWING	
Revised	Sheet
February 2016	1/4
Drawing No. C-GC-96	



ϕ 1/2"x5"
 For 2"x8" Rail
 ϕ 1/2"x3"
 For 2"x6" Rail

**PLAN VIEW OF
REINFORCED FENCE
SECONDARY RAIL POST SPLICE DETAIL**



**REINFORCED FENCE
SECONDARY RAIL SPLICE PLATE DETAIL**

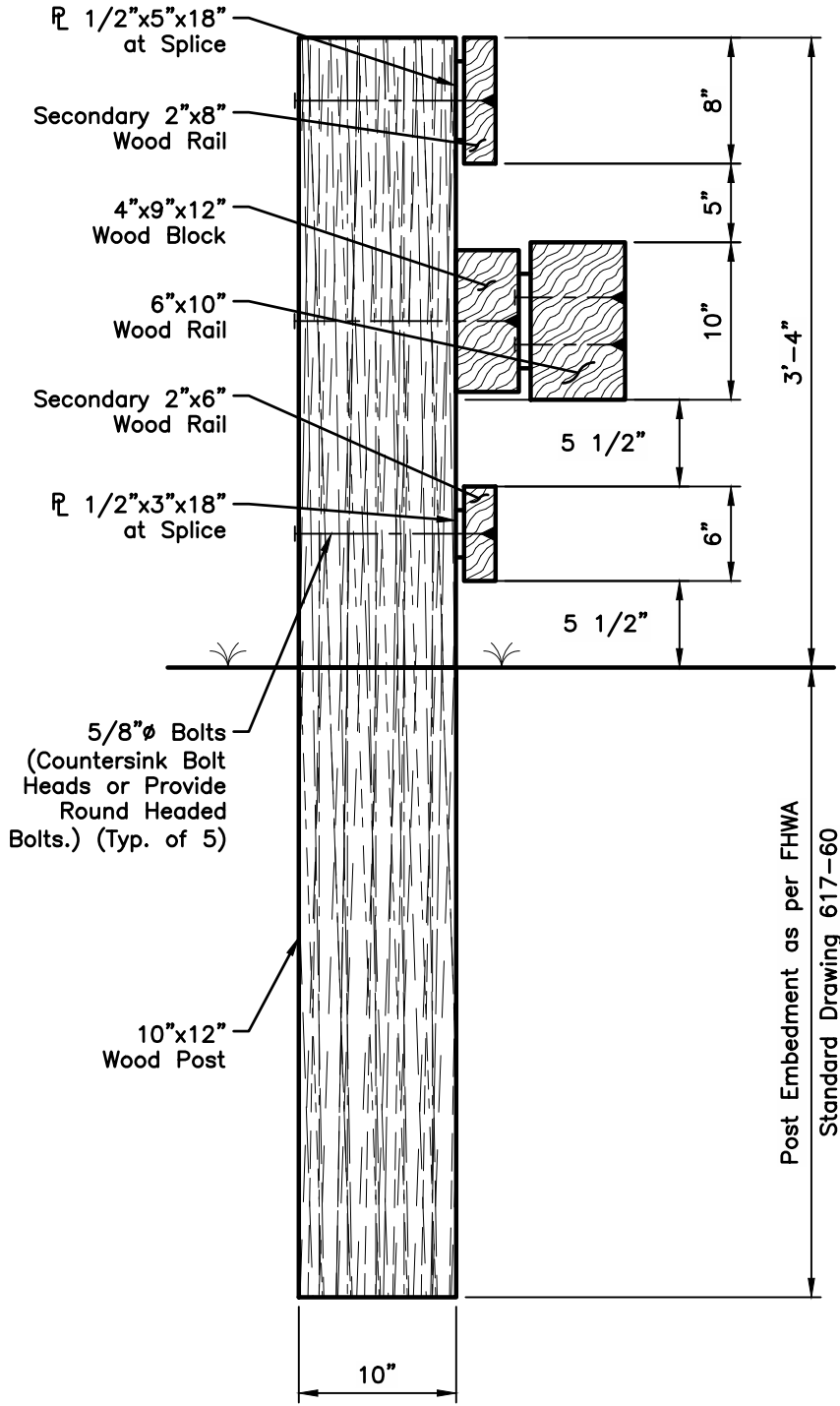
Approved By:

 City Engineer, EMH&T Inc

 City Service Director

STANDARD DIMENSIONS
 FOR
REINFORCED FENCE

CITY OF GROVE CITY, OHIO		
STANDARD CONSTRUCTION DRAWING		
Revised	Sheet	Drawing No.
February 2016	2/4	C-GC-96



REINFORCED FENCE

Approved By:

[Signature]
 City Engineer, EMH&T Inc

[Signature]
 City Service Director

STANDARD DIMENSIONS
 FOR
REINFORCED FENCE

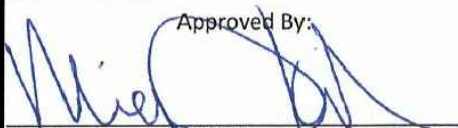
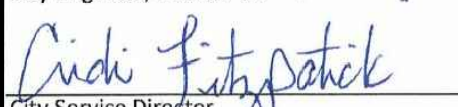
CITY OF GROVE CITY, OHIO		
STANDARD CONSTRUCTION DRAWING		
Revised	Sheet	Drawing No.
February 2016	3/4	C-GC-96

NOTES:

1. Details provided on this drawing refer to the wood fence and the secondary wood pedestrian rails on the reinforced fence. For details of the reinforced fence, including but not limited to the timber post, 6 x 10 timber rail, hardware, material and installation refer to FHWA standard drawings 617-60, 617-61 and 617-63.
2. The dimensions/ callouts of wood railing posts and wood traffic rails shall be the true out to out dimensions used for fabrication. The Contractor shall not supply members measuring less than what is shown in the plans, i.e. nominal. Horizontal wood railing may be nominal sizes. All wood for posts and 6" x 12" traffic railing components shall be pressure treated, dense select structural southern pine, Fb = 1750 psi. Wood for secondary railing shall be #1 grade southern pine, fb = 1500 psi. All wood for railing, posts, and cap shall conform to ODOT specification 710.14 and 712.06.
2. Upon completion of construction and when dry, 2 coats of a water repellent stain/sealer for wood shall be applied to all exposed wood surfaces. Water Repellent shall be Behr DECKplus Solid Color Waterproofing Wood Stain No. 213 Deep Base or approved equal.
3. This detail shall not be used as a substitute for guardrail and/or in areas where guardrail is required by Federal Highway Administration and/or Ohio Department of Transportation Specifications and guidelines.
4. **WOOD FENCE AND SECONDARY RAILING ON REINFORCED FENCE**
Horizontal wood railing and 8"x6" wood fence posts shall be nominal sizes. all wood for fence and secondary railing components shall be pressure treated southern yellow pine #1 grade.

When field cutting wood, treat the exposed cut surface with bituminous asphalt based roof cement, copper naphthenate paste, or approved preservation system.
5. **MATERIALS**
Wood railing shall conform to ODOT specification 710.14 and 712.06. Wood components reclaimed from use in another application shall not be permitted. Wood components that meet material specifications listed but have been in storage for more than one year will also not be allowed. Wood components that meet material specifications listed but are subsequently sawn down to meet plan component cross section dimensions shall be pressure treated again after resizing and prior to placement as shown on the plans.

All steel plate shall conform to ASTM-A572 with minimum yield strength of 50 ksi. All steel components shall be galvanized in accordance with ASTM-A123 or ASTM-153 and rated for corrosion protection for use in ACQ treated lumber. All anchor bolts, nuts, washers and studs for the wood fence shall conform the the physical properties of ASTM-A325 except that elongation shall be 10%. The chemical properties are waived. All anchor bolts, nuts, washers and studs for the Steel-Backed Reinforced Fence, including those in the secondary rail, shall be weathering steel and conform to the specifications noted in the FHWA Standard Drawing 617-60.
6. **WOOD COMPONENT PREVENTATIVE MAINTENANCE**
For long term durability it is strongly recommended that the owner periodically re-apply the water repellent sealer listed in note 3 to all exposed wood surfaces. The frequency of maintenance will be dependent on sound judgement in conjunction with the manufacturer's instructions and recommendations of the selected sealer.

<p>Approved By:</p>  <p>City Engineer, EMH&T Inc</p>  <p>City Service Director</p>	<p>STANDARD DIMENSIONS FOR REINFORCED FENCE</p>	<p>CITY OF GROVE CITY, OHIO</p>		
		<p>STANDARD CONSTRUCTION DRAWING</p>		
		<p>Revised February 2016</p>	<p>Sheet 4/4</p>	<p>Drawing No. C-GC-96</p>