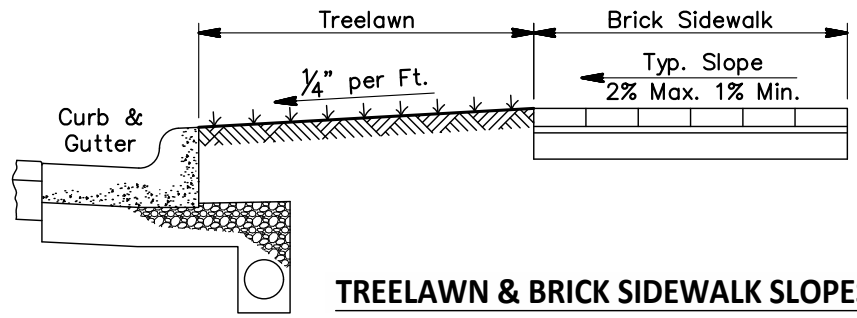
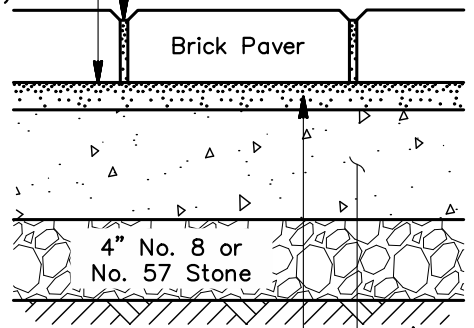


BRICK SIDEWALK PLAN VIEW



1/16"-3/16" Sand filled joints, ASTM C33.

Tack Coat of 2% neoprene-modified asphalt adhesive, 1/16" Max. (DRIVEWAYS)



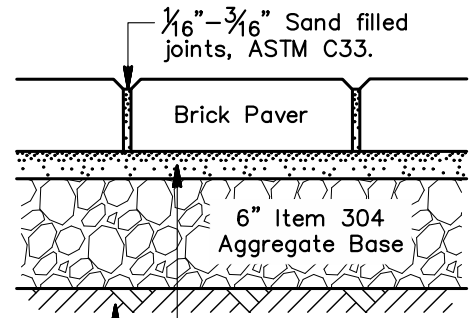
1" Sand/Cement Setting Bed.

1" Bitum. Setting Bed. (Driveways)

Item 608 Portland Cement Concrete (3" Min. Sidewalks) (6" Residential Driveway) (7" Commercial Driveway)

See note on sheet 4 for Item 608 thickness of sidewalks at driveways

ARTERIAL & COMMERCIAL SPECIFICATIONS



1/16"-3/16" Sand filled joints, ASTM C33.

1" Sand Setting Bed (per ASTM C-33; Nonangular with a Max. of 35 Passing a No. 200 Sieve. Mix 1 Part Portland Cement per 5 Parts Setting Bed Sand.)

Subgrade Compaction as per Item 203

RESIDENTIAL SPECIFICATIONS

Approved By:

[Signature]

City Engineer, EMH&T Inc

[Signature]

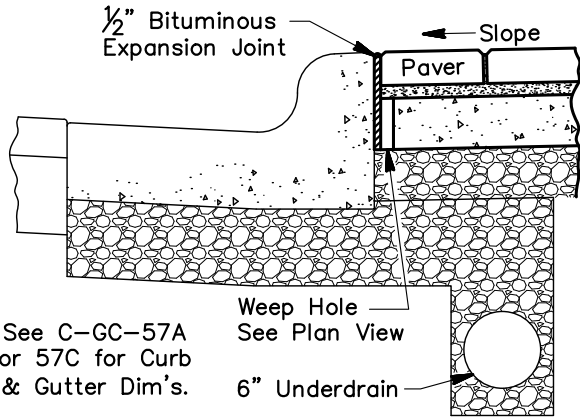
City Service Director

STANDARD DIMENSIONS FOR

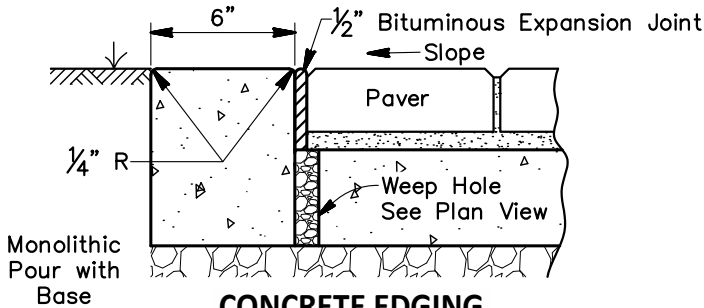
BRICK SIDEWALK SPECIFICATIONS

CITY OF GROVE CITY, OHIO		
STANDARD CONSTRUCTION DRAWING		
Revised	Sheet	Drawing No.
February 2019	1/4	C-GC-94

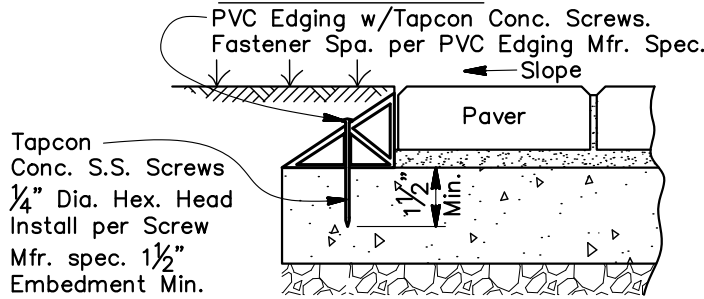
ARTERIAL & COMMERCIAL SPECIFICATIONS



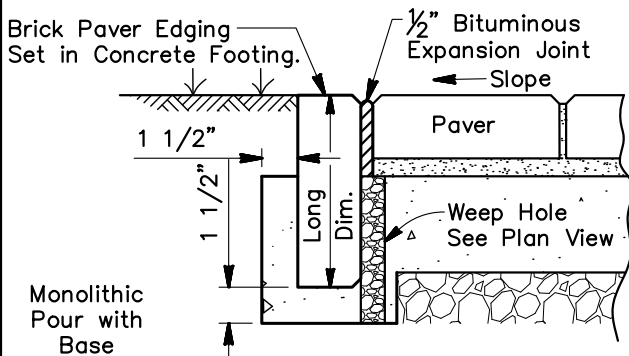
CONCRETE CURB EDGING



CONCRETE EDGING

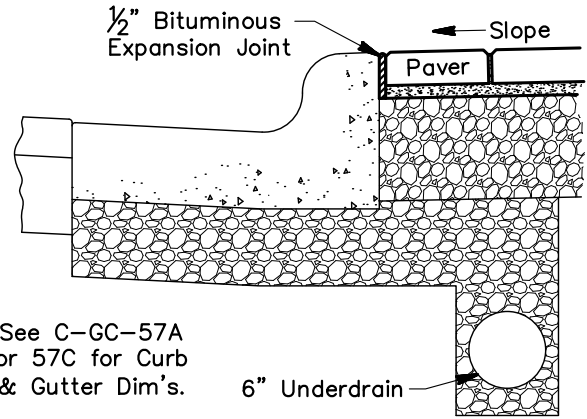


PVC EDGING

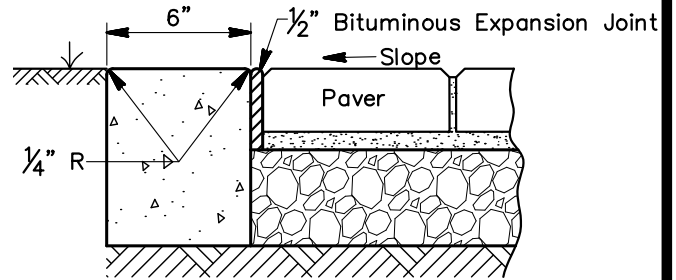


BRICK PAVER EDGING W/FOOTER

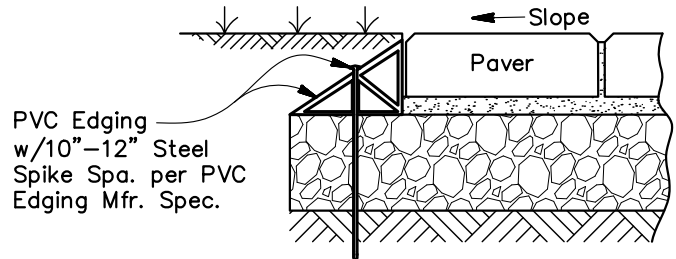
RESIDENTIAL SPECIFICATIONS



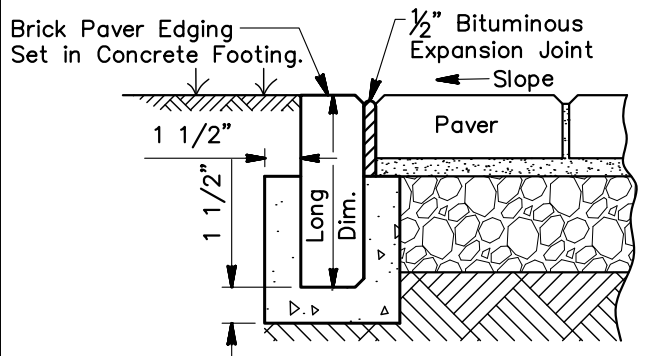
CONCRETE CURB EDGING



CONCRETE EDGING



PVC EDGING



BRICK PAVER EDGING W/FOOTER

Approved By:

[Signature]

City Engineer, EMH&T Inc

[Signature]

City Service Director

STANDARD DIMENSIONS
FOR

**BRICK SIDEWALK
SPECIFICATIONS**

**CITY OF
GROVE CITY, OHIO**

STANDARD
CONSTRUCTION DRAWING

Revised	Sheet	Drawing No.
February 2019	2/4	C-GC-94

GENERAL NOTES:

All concrete shall be Item 499, Columbus Class COC 6, Air Entrained Concrete. w/57 Limestone Aggregate and 600 lbs. of concrete per C.Y., maximum 4-in slump. No Fly Ash or GGBFS in concrete.

Length and slope of driveway approaches are variable according to the distance of the sidewalk from the curb, see Standard Drawings C-GC-41A & C-GC-42.

All concrete shall be placed in one course and finished with a wood float.

Expansion joints shall be placed wherever new concrete touches existing construction and at intervals of 30-ft or less. Expansion joint shall be extended through brick course.

Water and gas valve boxes in the sidewalk area shall be adjusted to proper grade.

Immediately after finishing, concrete shall be cured in an approved manner.

When a sidewalk is constructed for the entire width from the curb to the lot line, the walk shall be constructed part width at a time 48-in minimum, allowing for sufficient unobstructed area 48-in minimum for safe movement of pedestrian traffic.

Notify the Grove City Building Department (614-277-3035) when forms will be ready for inspection, at least 24 hours before concrete is to be placed. In no case may concrete be placed without approval of form work by the inspector.

No concrete shall be placed until temperature is 35° F. minimum. Concrete shall be protected in accordance with Section 451.10 of Item 451.

One inch deep contraction joints shall be sawed in the concrete base every 5-ft.

All edges of brick bed shall be edged with concrete, brick or plastic edging material. (Asphalt is not an acceptable edge material).

Color selection of brick paver shall be submitted to Grove City for approval prior to construction.



Concrete base shall cure for at least 7 days prior to placement of brick course.

Pavers shall be cut with a masonry saw when less than a full paver is necessary.

Bricks shall be vibrated into place with a mechanical plate vibrator/compactor. First pass with vibrator shall be without jointing sand, additional passes with jointing sand shall be made with vibrator until joints are filled.

Maximum allowable difference in height between pavers is 1/16-in.

All brick pavers shall be solid concrete paving units conforming to ASTM C936 (4"w x 8"l x 2-3/8"h). Other sizes me be used with prior Grove City approval

<p>Approved By:</p>  <p>City Engineer, EMH&T Inc</p>  <p>City Service Director</p>	<p>STANDARD DIMENSIONS FOR</p> <p>BRICK SIDEWALK SPECIFICATIONS</p>	<p>CITY OF GROVE CITY, OHIO</p>		
		<p>STANDARD CONSTRUCTION DRAWING</p>		
		<p>Revised February 2019</p>	<p>Sheet 3/4</p>	<p>Drawing No. C-GC-94</p>

GENERAL NOTES (continued):

Where sidewalks abut driveways or alley approaches, the concrete thickness of the walk shall equal the thickness of the approach (6-in minimum) for a distance of one (1) full panel or minimum 5-ft. See Standard Drawings of the applicable driveway or alley.

Tack coat of 2% neoprene-modified asphalt adhesive shall contain 2% neoprene grade WMI oxidized asphalt with a 150° F softening point (77 penetration) and 10% long fibered inert material as supplied by (or approved equal):

Seidel Company, Inc.
11 Market Square
Newburyport, MA 01950
(617) 649-6740

Hastings Pavement Company, Inc.
410 Lakeville Road
Lake Success, NY 11042
(516) 379-3500

The 1-in bituminous setting bed shall consist of asphalt cement conforming at ASTM D3381, viscosity grade AC-10 or AC-20.

Furnish fine aggregate of natural sand and /or stone sand, composed of hard, tough, durable , uncoated particles, free from clay, silt, organic material or other deleterious substances, ensure the sand is uniformly graded with all material passing the No.4 sieve and meeting the requirement of ASTM C136.

Combine the dried fine asphalt with hot asphalt cement and heat mix to approximately 300°F at an asphalt plant.

- A. Provide an approximate proportion of materials of 7% asphalt cement and 93% fine aggregate.
- B. Provide each ton apportioned by weight to 140lbs of asphalt cement and 1,860 pounds of fine aggregate.

<p>Approved By:</p> City Engineer, EMH&T Inc	<p>STANDARD DIMENSIONS FOR</p> <p>BRICK SIDEWALK SPECIFICATIONS</p>	<p>CITY OF GROVE CITY, OHIO</p>		
		<p>STANDARD CONSTRUCTION DRAWING</p>		
		Revised February 2019	Sheet 4/4	Drawing No. C-GC-94