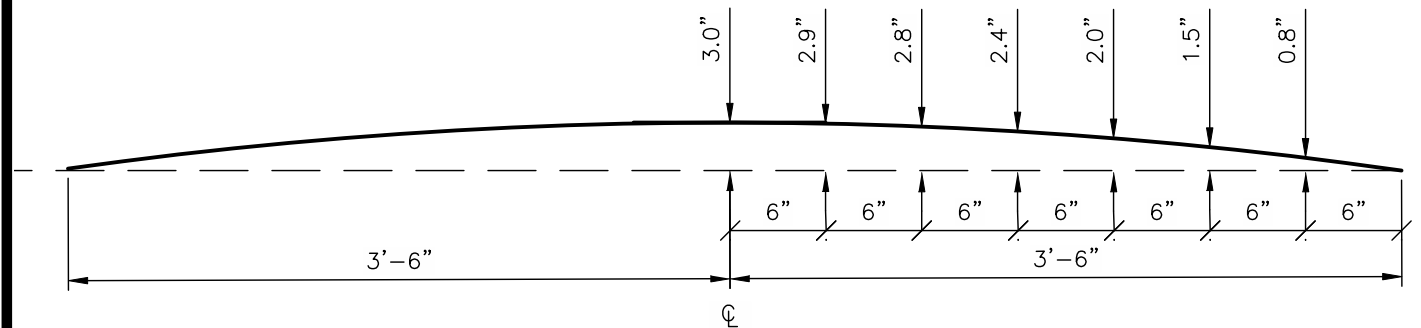
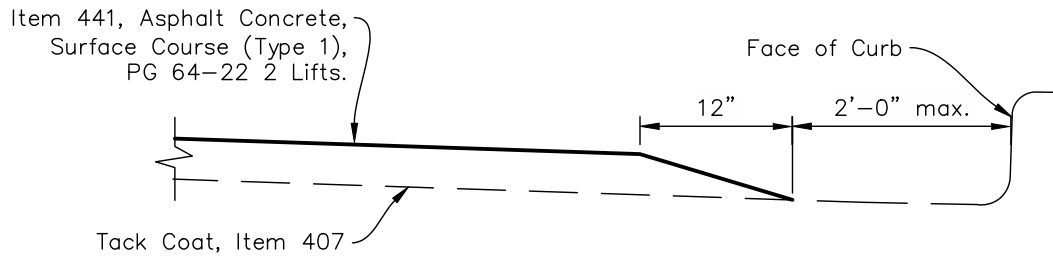


PLAN VIEW
Parabolic Crown



SECTION A-A
Parabolic Crown
(Tolerance $\pm 0.5"$)



SECTION B-B

NOTES: Speed Bump Installation Must Be Approved by Grove City

Approved By:

[Signature]

City Engineer, EMH&T Inc

[Signature]

City Service Director

STANDARD DIMENSIONS
FOR
**SPEED BUMP
(TYPICAL)**

CITY OF GROVE CITY, OHIO		
STANDARD CONSTRUCTION DRAWING		
Revised		Drawing No.
February 2019		C-GC-89