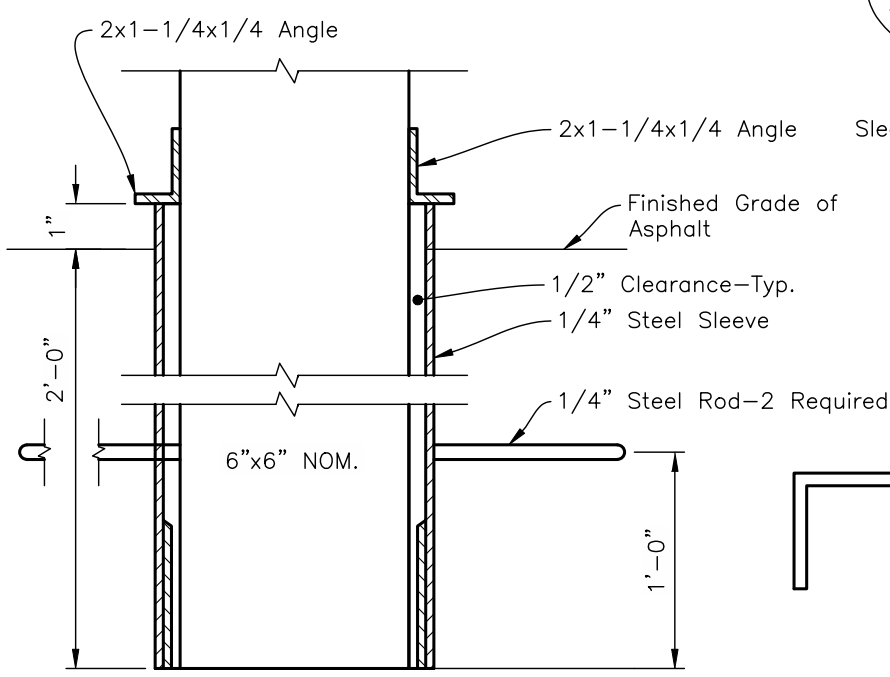
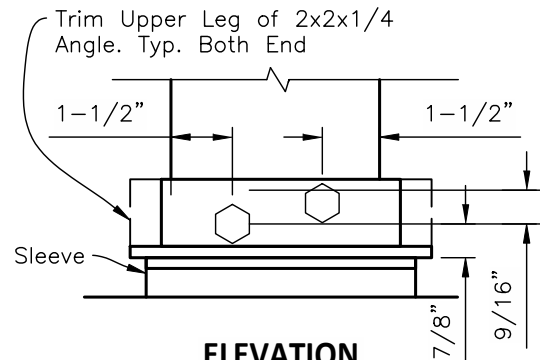


SECTION A-A

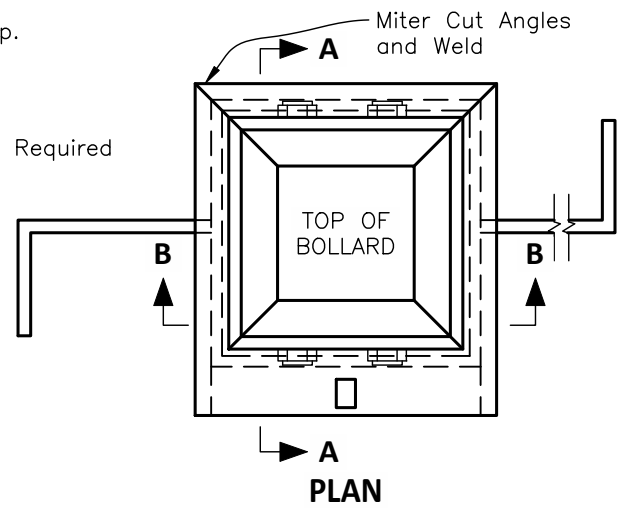
PLAN-SLEEVE ASSEMBLY



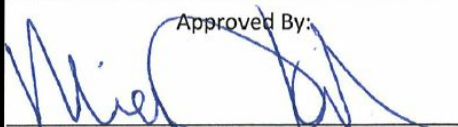
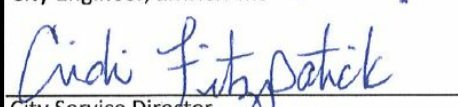
SECTION B-B



ELEVATION

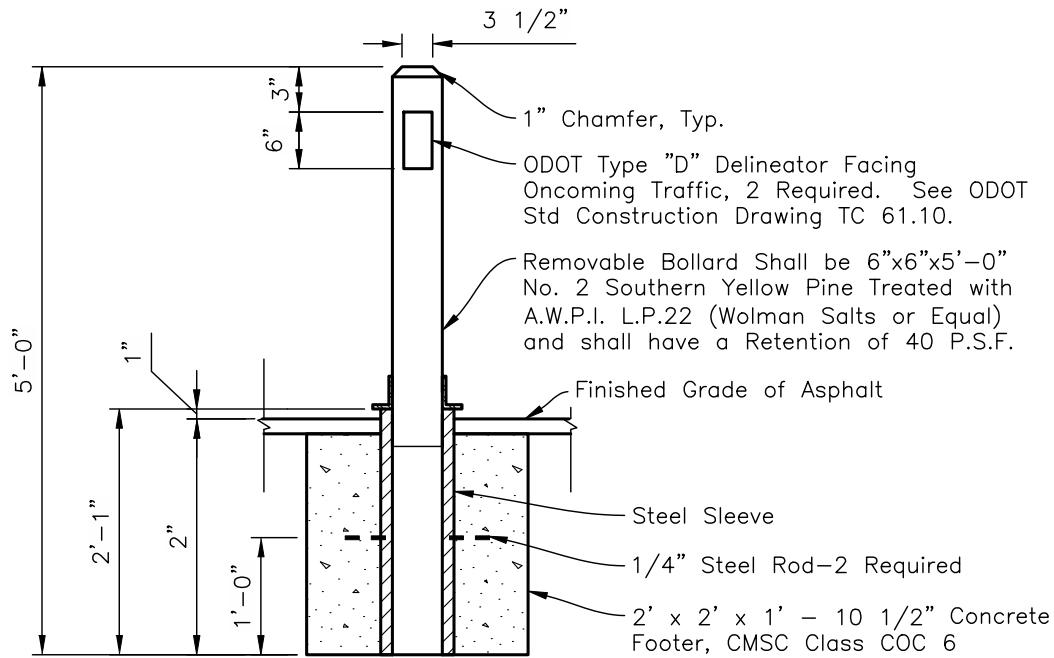


PLAN

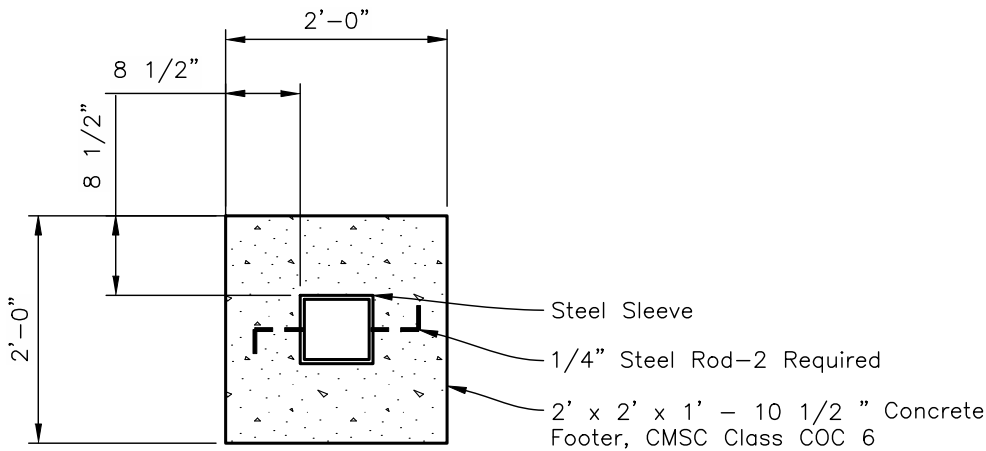
Approved By:

 City Engineer, EMH&T Inc

 City Service Director

STANDARD DIMENSIONS
 FOR
**REMOVABLE
 BOLLARD DETAIL**

CITY OF GROVE CITY, OHIO		
STANDARD CONSTRUCTION DRAWING		
Revised	Sheet	Drawing No.
February 2019	1/2	C-GC-82



REMOVABLE BOLLARD



FOOTER DETAIL

NOTES

The steel sleeve, angle iron and anchor rods shall be painted with two coats of Rust-Oleum No. 769 Damp-Proof Red Primer, or Equal, prior to installation. The Contractor may substitute a 24-in circular footer in place of the 24-in square footer shown.

Approved By:

[Signature]

City Engineer, EMH&T Inc

[Signature]

City Service Director

STANDARD DIMENSIONS
FOR
**REMOVABLE
BOLLARD DETAIL**

CITY OF GROVE CITY, OHIO		
STANDARD CONSTRUCTION DRAWING		
Revised	Sheet	Drawing No.
February 2019	2/2	C-GC-82