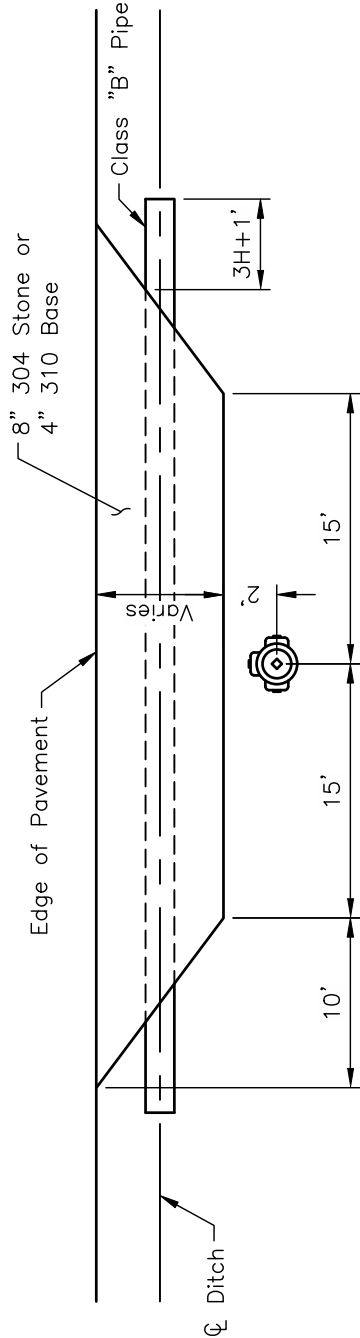


* Unless hydrant protection is used. See Sheet 2 of this drawing.



PLAN VIEW

DETAIL NOTES

The Contractor shall set Fire Hydrants to proper grade, with the ground line at the same elevation as the top of curb. Where there is no curb, set ground line at 3/8" per foot from the edge of pavement. Set Fire Hydrants to proper grade at the time of installation, using the proper length of Fire Hydrant lower barrel, (5'-0" Min.), or through the proper use of extensions, after installation.

This detail is to be used in conjunction with the following standard drawings as they may apply for the particular installation; City of Columbus No. L-6637 Type "A" Setting, No. L-6409 Type "B" Setting & City of Grove City No. C-GC-31 Standard Fire Hydrant.

Approved By:

 City Engineer, EMH&T Inc

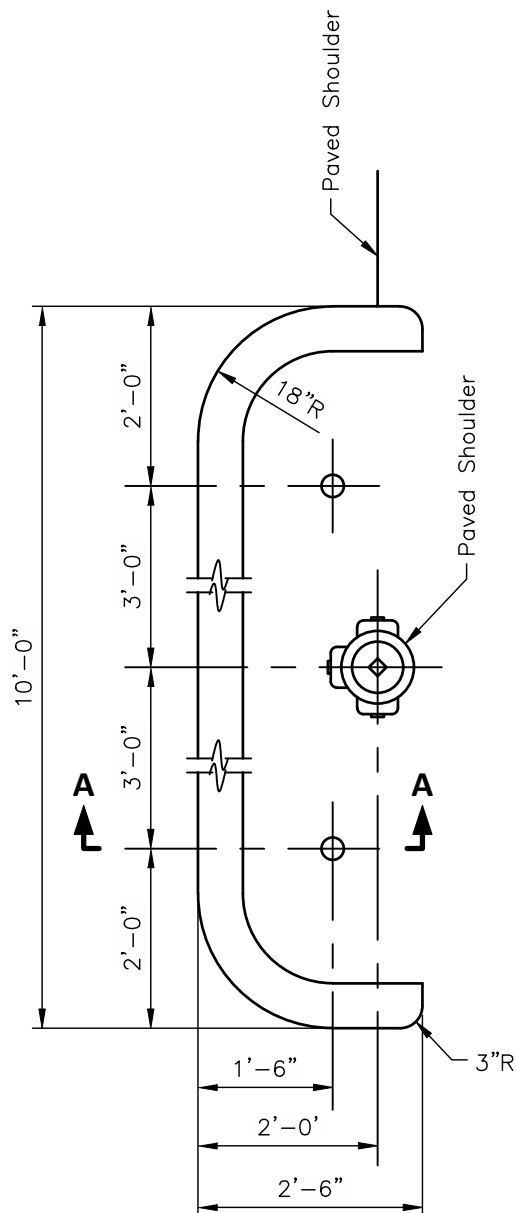
 City Service Director

STANDARD DIMENSIONS
 FOR
**FIRE HYDRANT
 LOCATION DETAIL**

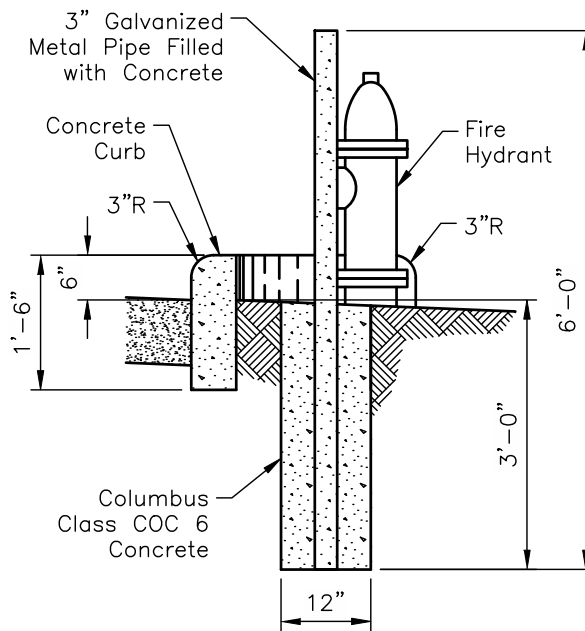
CITY OF GROVE CITY, OHIO		
STANDARD CONSTRUCTION DRAWING		
Revised February 2019	Sheet 1/2	Drawing No. C-GC-32

3-inch Metal Protection Posts shall be wire brushed clean and painted one coat of primer and two coats of Federal Safety Orange enamel after each coat is thoroughly dry.

Fire Hydrant Protection shall be used when hydrants are within 6 feet (6') from the edge of pavement of streets, access roads, and drives without curb or elsewhere as directed.



PLAN VIEW



SECTION "A-A"

FIRE HYDRANT PROTECTION DETAIL

DETAIL NOTES

1. No Hydrant shall be located within thirty feet (30') from the edge of pavement or face of curb lines of any two public streets extended to their intersection.
2. No hydrant shall be located within six feet (6') from the edge of any residential drive approach, nor shall any hydrant be located within eight feet (8') of an alley, commercial drive, or access road.
3. Valve box and cover casting shall be level with the finished ground or flush with paved surfaces.
4. Prior approval shall be obtained from the City Engineer before any change is made to the ground elevation at an existing hydrant or valve box.

Approved By:

 City Engineer, EMH&T Inc

 City Service Director

STANDARD DIMENSIONS
 FOR
**FIRE HYDRANT
 LOCATION DETAIL**

CITY OF GROVE CITY, OHIO		
STANDARD CONSTRUCTION DRAWING		
Revised	Sheet	Drawing No.
February 2019	2/2	C-GC-32