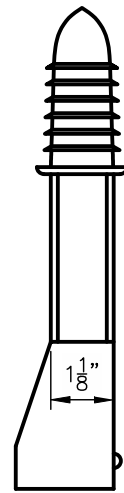
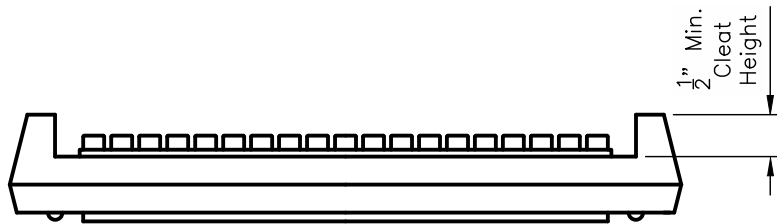


TOP VIEW



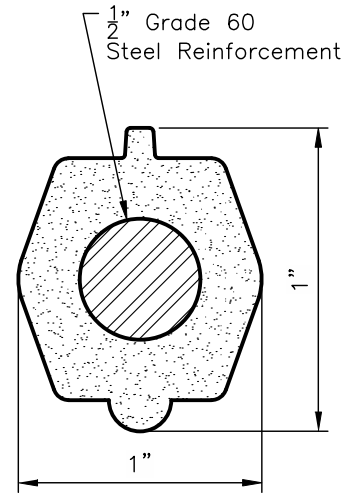
SIDE VIEW



FRONT VIEW

DETAIL NOTES:

1. Steps shall meet the requirements of ASTM C-478, and shall be installed with a uniform vertical spacing of 12-in to 16-in
2. Steps installed in existing structures shall be set in a quick setting non-shrink epoxy.
3. Steps shall conform to material requirements of Columbus CMS 711.31. All steps shall have a depressed tread or 1/2-in minimum cleat height at the ends.
4. The Engineer may require Contractor to test load a maximum of one step per manhole to a proof load of 400 lbs. in direct pull. The equipment and method used shall meet the approval of the engineer. If the selected step fails the pull out test, the remaining steps in that manhole shall also be tested. All steps not passing the pullout test shall be removed and a new step installed and tested to the satisfaction of the Engineer. Cost of testing shall be incidental to the unit price bid for the manhole.



SECTION A-A

Approved By:

 City Engineer, EMH&T Inc

 City Service Director

STANDARD DIMENSIONS
 FOR
MANHOLE STEP

CITY OF GROVE CITY, OHIO
 STANDARD CONSTRUCTION DRAWING
 Revised October 2015
 Drawing No. C-GC-20