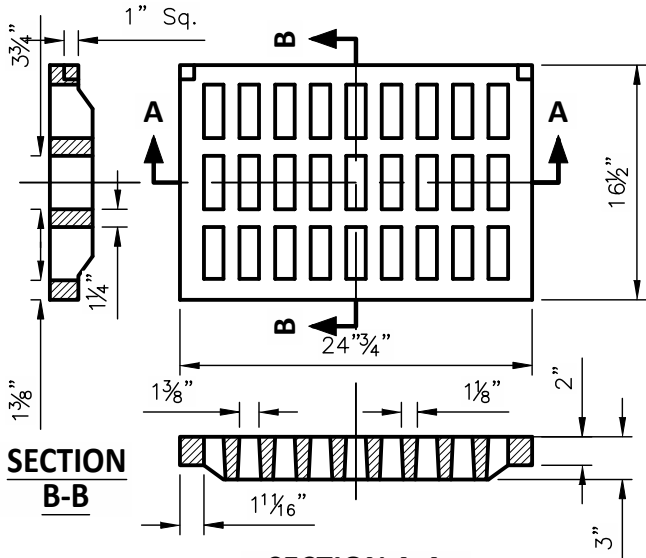


**GRATE**

(Approx. Wt. 104 lbs.)

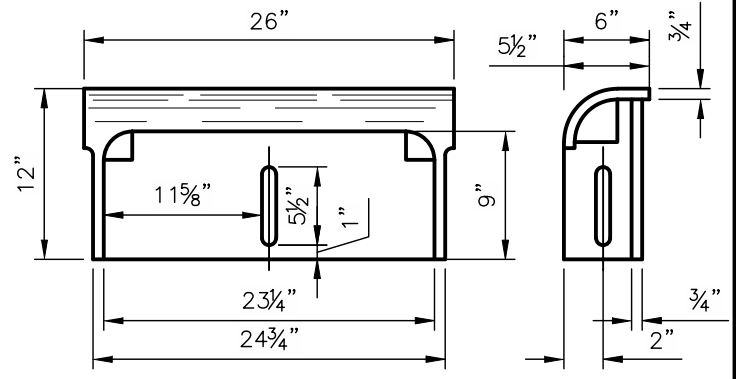


**SECTION B-B**

**SECTION A-A**

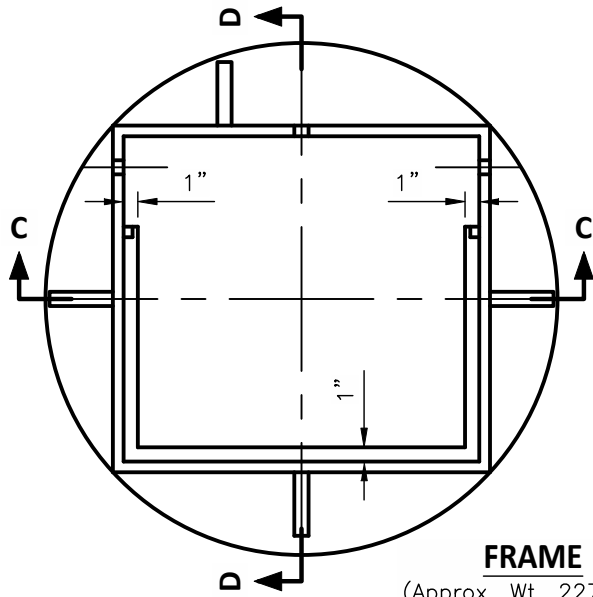
**CURB BOX**

(Approx. Wt. 54 lbs.)



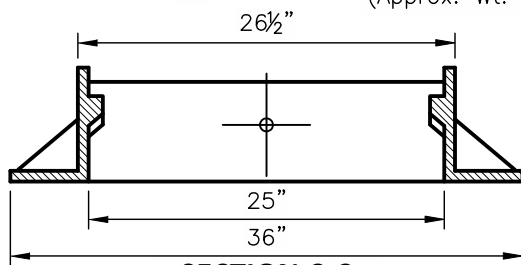
**ELEVATION**

**END VIEW**

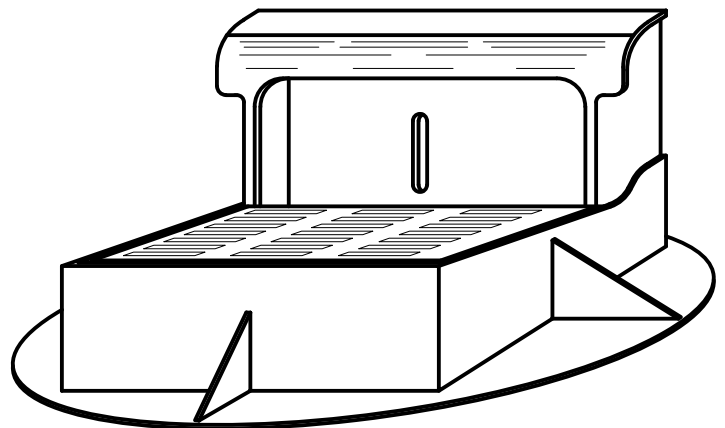


**FRAME**

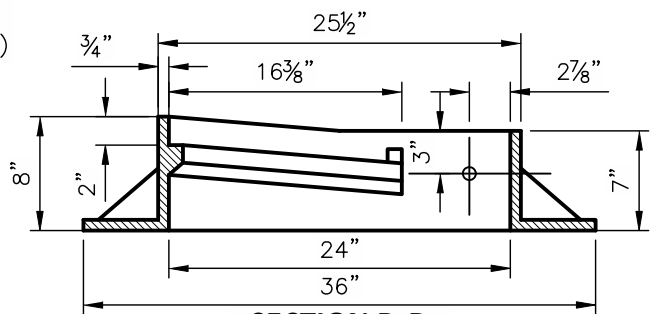
(Approx. Wt. 227 lbs.)





**SECTION C-C**



**PERSPECTIVE VIEW**



**SECTION D-D**

Approved By:  
  
 City Engineer, EMH&T Inc  
  
 City Service Director

STANDARD DIMENSIONS  
 FOR  
 CAST IRON FRAME FOR  
 RADIUS GUTTER INLET

**CITY OF GROVE CITY, OHIO**  
 STANDARD CONSTRUCTION DRAWING  
 Revised October 2015  
 Drawing No. C-GC-16