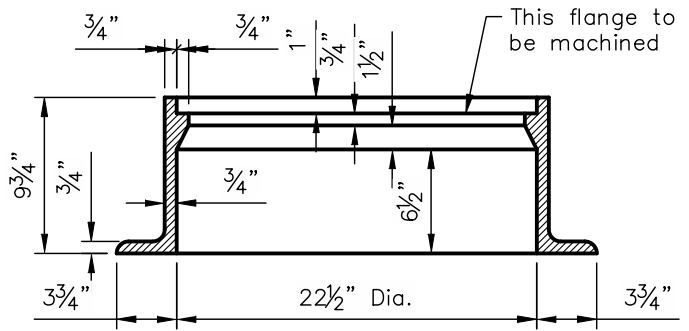
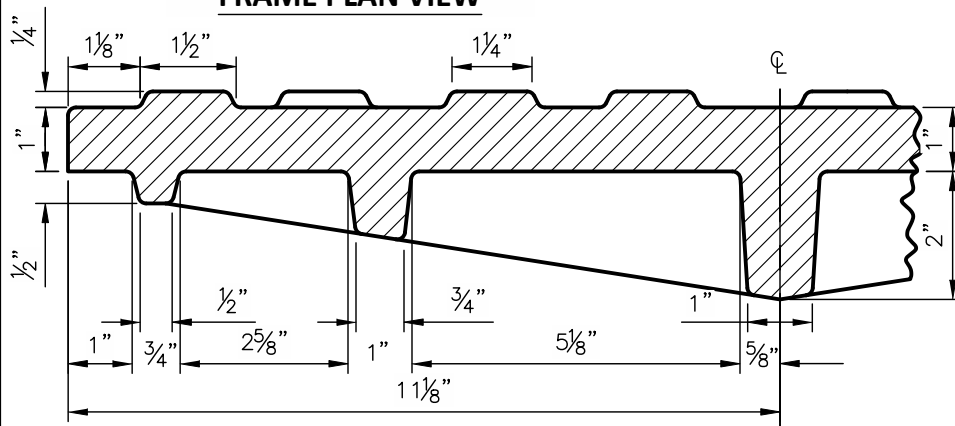


**FRAME PLAN VIEW**

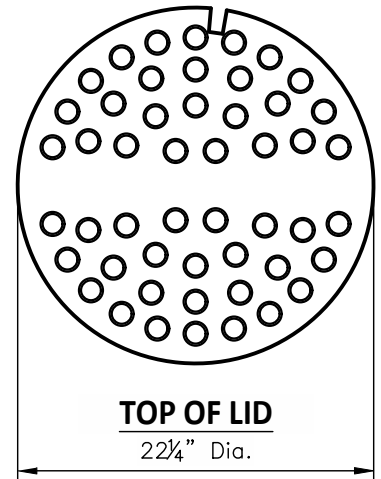


**FRAME SECTION**

Foundry name shall be cast on the underneath or unexposed surface of both lid and ground rim.

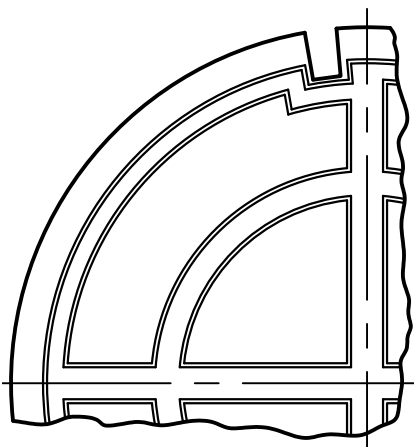


**SECTION A-A**

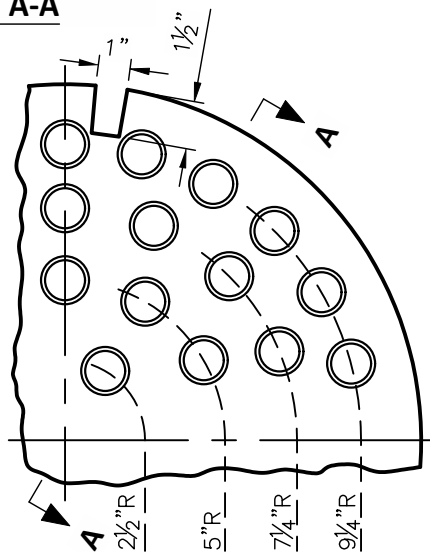


**TOP OF LID**

22 1/4" Dia.

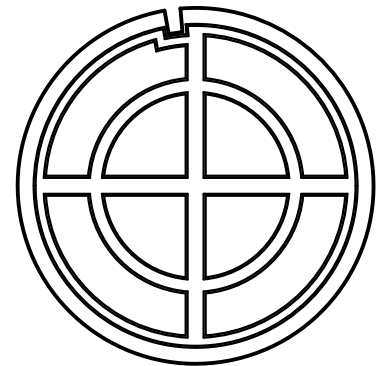


**BOTTOM**



**1/4 LID**

**TOP**



**BOTTOM OF LID**

Approved By:  
  
 City Engineer, EMH&T Inc  
  
 City Service Director

STANDARD DIMENSIONS  
 FOR  
**24" MANHOLE FRAME  
 & COVER CASTINGS  
 FOR STORM SEWERS**

**CITY OF  
 GROVE CITY, OHIO**

STANDARD  
 CONSTRUCTION DRAWING

Revised		Drawing No.
October 2015		C-GC-12