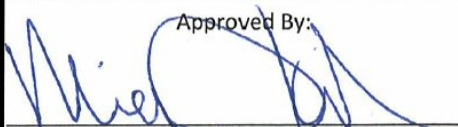


DETAIL NOTES

1. Joints and connections shall be per Columbus CMS Item 604.06.
2. Manholes shall be in accordance with ASTM C-478.
3. Precast walls shall have a Min. thickness of 5-in and be sufficiently reinforced to permit shipping and handling without damage.
4. A smooth Class COC 6 concrete channel shall be installed between pipe entrance and exit.
5. See table for manhole base diameter.
6. Manholes must be set on foundation of crushed No. 57 limestone, 6-in Min. thickness.
7. Only sanitary manholes shall require a concrete collar, unless otherwise specified.

MANHOLE BASE I.D. (INCHES)	MAXIMUM PIPE O.D.	
	STRAIGHT PIPE (INCHES)	RIGHT ANGLE (INCHES)
48	31	25
60	42	32
72	51	38
84	-	44
96	-	50

Approved By:

 City Engineer, EMH&T Inc

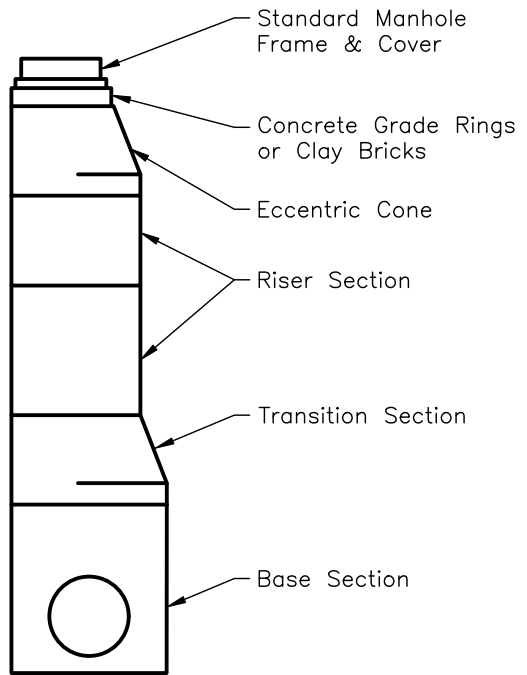
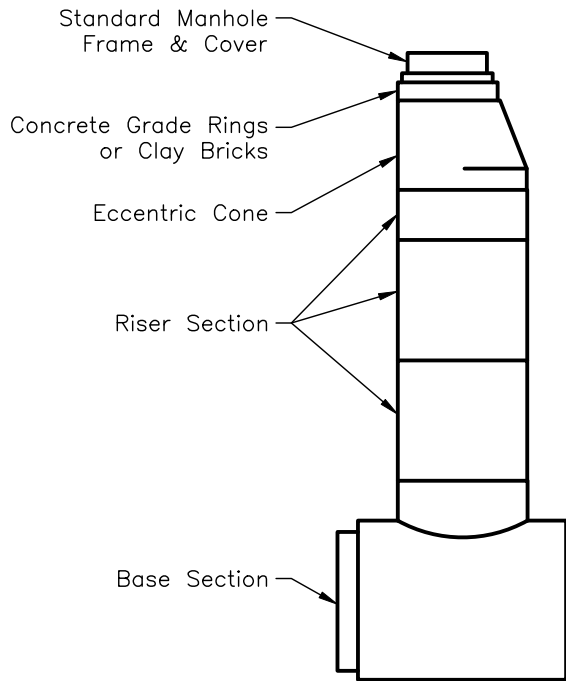
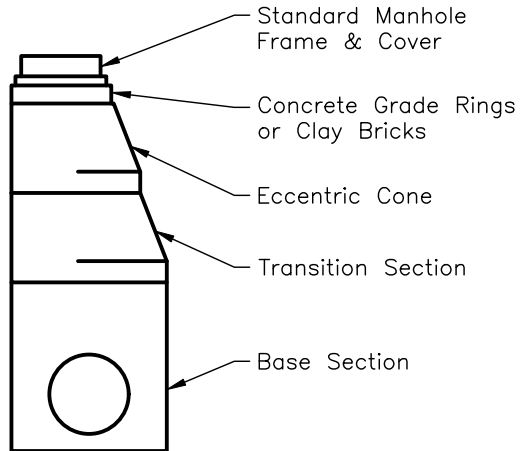
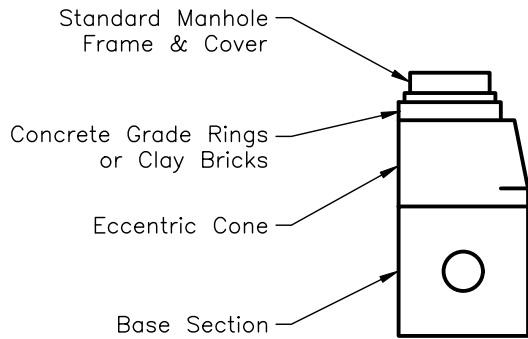
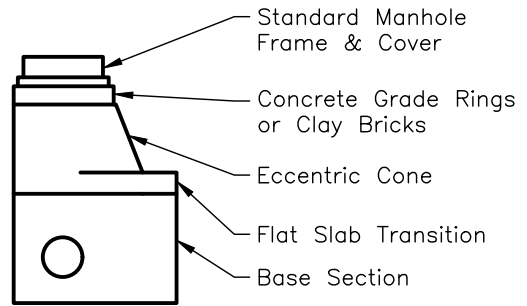
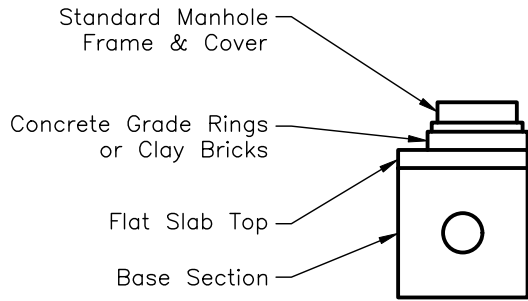
 City Service Director

STANDARD DIMENSIONS
 FOR
**PRECAST CONCRETE
 MANHOLE**

**CITY OF
 GROVE CITY, OHIO**

STANDARD
 CONSTRUCTION DRAWING

Revised		Drawing No.
February 2019	1/2	C-GC-3



Approved By:

[Signature]

City Engineer, EMH&T Inc

[Signature]

City Service Director

STANDARD DIMENSIONS
FOR

**PRECAST
CONCRETE
MANHOLE**

CITY OF GROVE CITY, OHIO		
STANDARD CONSTRUCTION DRAWING		
Revised	Sheet	Drawing No.
February 2019	2/2	C-GC-3