

**SECTION A-A**

**NOTES:**

1. All maintenance of traffic shall be done in accordance with the Ohio Manual of Traffic Control for Construction and Maintenance Operations.
2. Columbus Class COC 5 or COC MS concrete with fiber reinforcement and 6%±1% air entrainment shall be used.

Approved By:

*[Signature]*  
City Engineer, EMH&T Inc

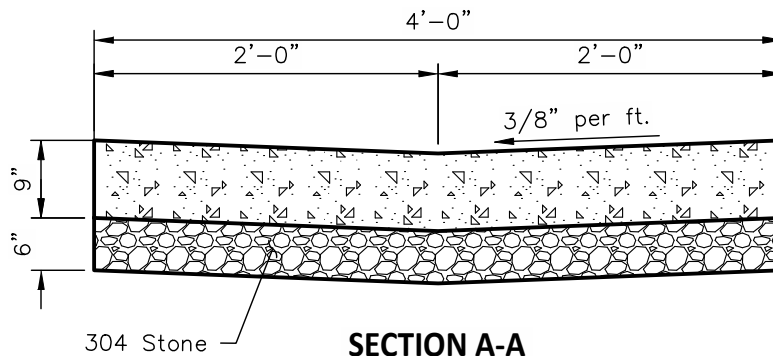
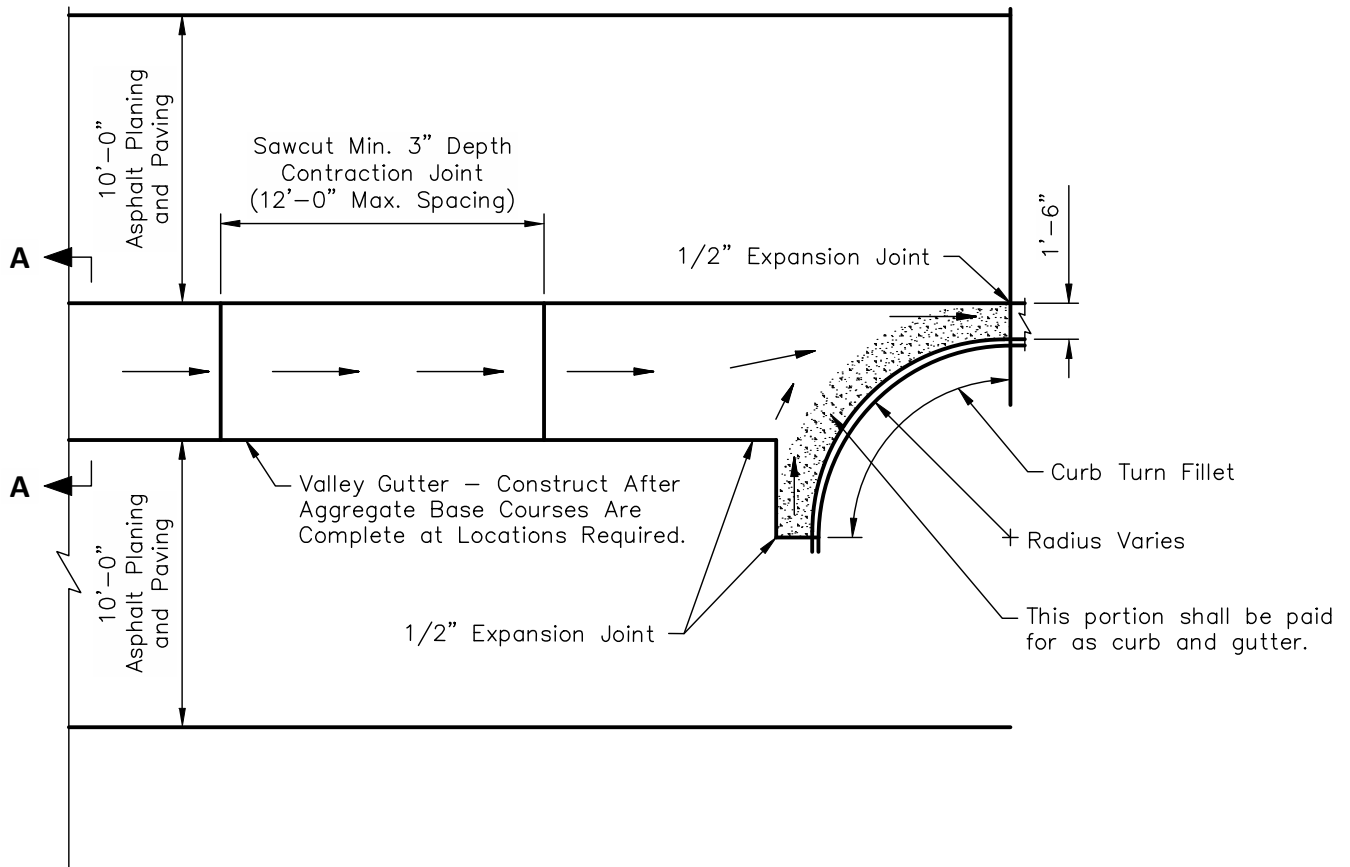
*[Signature]*  
City Service Director

STANDARD DIMENSIONS  
FOR  
**9" CONCRETE VALLEY  
GUTTER FOR DRAINAGE  
IMPROVEMENTS ON EX.  
ROADWAYS**

**CITY OF  
GROVE CITY, OHIO**

STANDARD  
CONSTRUCTION DRAWING

Revised	Sheet	Drawing No.
February 2019	1/2	C-GC-86



**NOTES:**

1. All maintenance of traffic shall be done in accordance with the Ohio Manual of Traffic Control for Construction and Maintenance Operations.
2. Columbus Class COC 5 or COC MS concrete with fiber and 6%±1% air entrainment shall be used.
3. The Contractor shall be limited to a 48-hour road closure. All maintenance of traffic shall be done in accordance with the "Ohio Manual of Traffic Control for Construction and Maintenance Operations".

Approved By:

*[Signature]*

City Engineer, EMH&T Inc

*[Signature]*

City Service Director

STANDARD DIMENSIONS  
FOR

**9" CONCRETE VALLEY  
GUTTER FOR DRAINAGE  
IMPROVEMENTS ON EX.  
ROADWAYS**

**CITY OF  
GROVE CITY, OHIO**

STANDARD  
CONSTRUCTION DRAWING

Revised	Sheet	Drawing No.
February 2019	2/2	C-GC-86