

SHARED-USE PATH PLAN

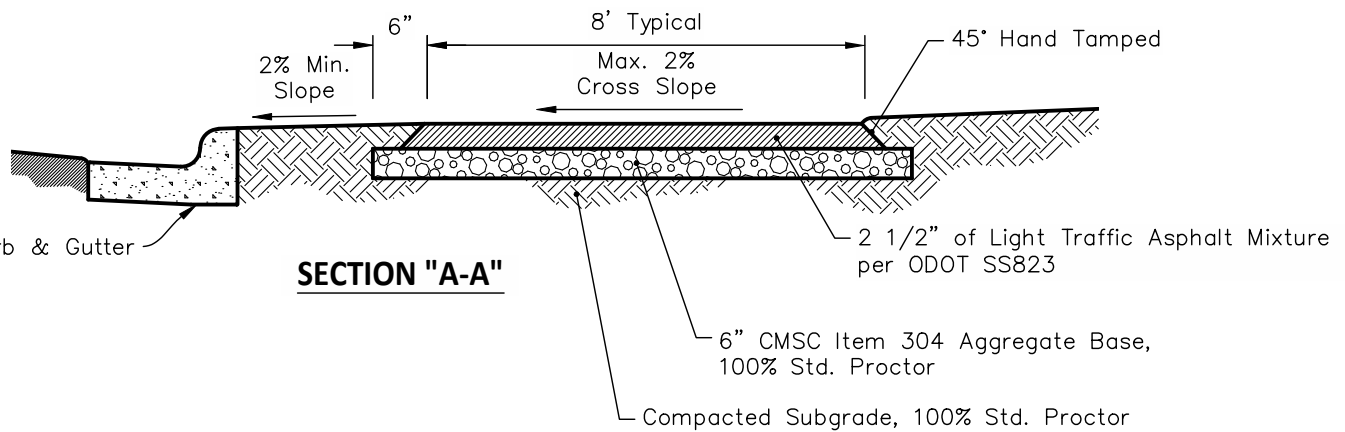
A ←

Curb & Gutter

Casting
See Note 3

8' Typical

Tree Lawn



SECTION "A-A"

Curb & Gutter

2% Min. Slope

6"

8' Typical
Max. 2% Cross Slope

45° Hand Tamped

2 1/2" of Light Traffic Asphalt Mixture per ODOT SS823

6" CMSC Item 304 Aggregate Base, 100% Std. Proctor


Compacted Subgrade, 100% Std. Proctor

NOTES

1. An approved soil sterilant shall be applied prior to the placement of base material.
2. All topsoil, or otherwise unsuitable material, shall be removed and replaced with compactable granular load-bearing material. All disturbed areas, including fills, shall be seeded according to ODOT Item 659.
3. All castings within shared-use path, when unavoidable, shall be set flush with concrete and bolted down.
4. 2-ft graded section on each side of shared-use path shall be clear of obstructions.
5. Vertical clearance to obstructions above path shall be 8-ft, 6-in. Vertical clearance to traffic signs beside path shall be 7-ft to bottom of sign.
6. Shared-use paths shall meet the most current specifications of the ADA Accessibility Guidelines (ADAAG).
7. Pavement markings and signage shall conform to the Manual of Uniform Traffic Control Devices (MUTCD).
8. Where path is to be replaced, the existing path shall be saw cut and the joints be heat welded per CMSC Supplemental Specification 1541 (Thermal Bond Asphalt Repair).
9. Design speeds and radii shall be as follows:

| DESIGN SPEED (MPH) | MINIMUM RADIUS (FT.) |
|--------------------|----------------------|
| 20 (Min.) | 70 |
| 25 | 90 |
| 30* | 125* |

*Shall be used when grade exceeds 4%; however, grades greater than 5% are undesirable.

Approved By:

 City Engineer, EMH&T Inc

 City Service Director

STANDARD DIMENSIONS
FOR
**SHARED-USE
PAVEMENT DETAIL**

**CITY OF
GROVE CITY, OHIO**

STANDARD
CONSTRUCTION DRAWING

Revised
February 2019

Drawing No.
C-GC-80