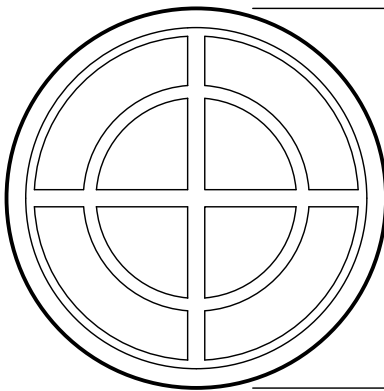
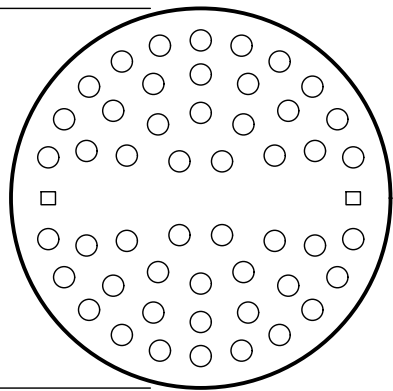


PLAN

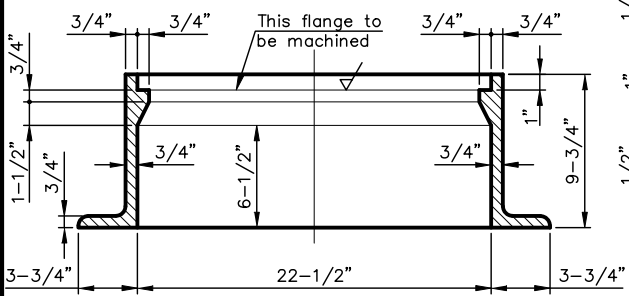


BOTTOM

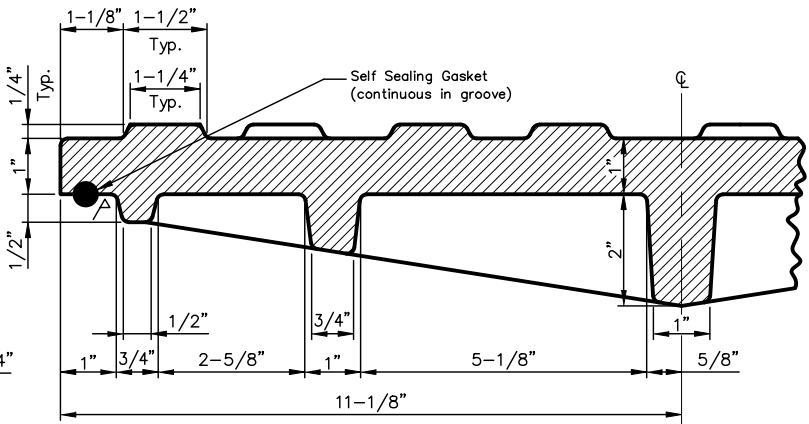


TOP

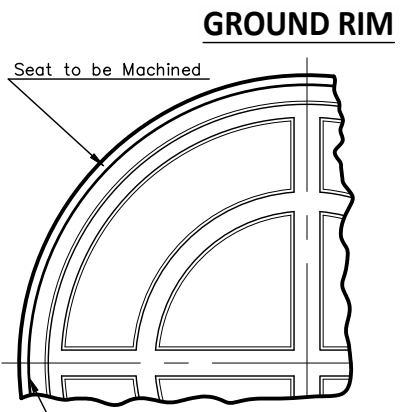
LID



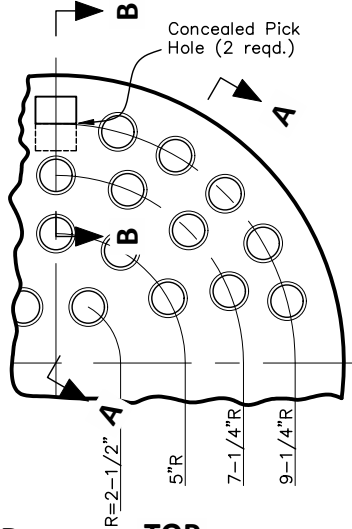
SECTION



SECTION A-A



BOTTOM

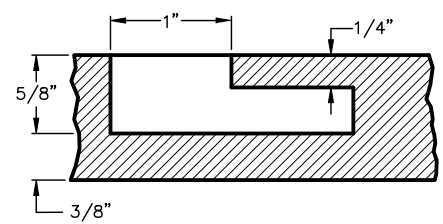


1/4 LID

TOP

NOTE

Foundry name shall be cast on the underneath or unexposed surface of both lid and ground rim.



**SECTION B-B
CONCEALED PICKHOLE**

Approved By:

 City Engineer, EMH&T Inc

 City Service Director

STANDARD DIMENSIONS
 FOR
 24" MANHOLE FRAME &
 COVER CASTINGS FOR
 SANITARY SEWERS

**CITY OF
 GROVE CITY, OHIO**
 STANDARD
 CONSTRUCTION DRAWING
 Revised
 October 2015
 Drawing No.
 C-GC-44