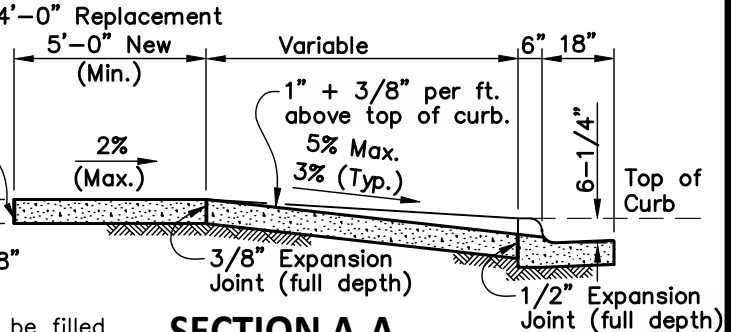


Maximum Curb Opening = 60 feet

**PLAN VIEW**

\* = Minimum limits of combined curb & gutter or integral curb to be removed if curb has not yet been previously dropped. All joints to be sawed and provision made for proper contraction joints.


1/2" Expansion Joint (full depth) if driveway beyond this line is Conc.



**SECTION A-A**

**DETAIL NOTES**

1. All materials and construction to conform to Item 452 Columbus CMS. Use either Class COC 6 or COC MS Concrete. No Fly Ash or GGBFS is permitted. Particular attention shall be given to finish and curing.
2. Subgrade excavated below the prescribed grade shall be filled with an approved crushed aggregate and compacted as directed.
3. When directed by the City, 2-in Duct for street light cable shall be laid under driveway approaches prior to pouring approaches. Duct shall be placed 4-ft back of curb and 24-in below proposed finished grade.
4. Surfaces shall be broom finish and all joints and edges shall be tooled after broom finish. Any existing castings or valve boxes in driveway approach shall be adjusted to grade.
5. Drive apron, sidewalk across approach, integral or straight curb, and curb & gutter adjacent to street shall be included in the price bid for this item.
6. Contractor shall apply a cure & seal compound, as approved by the City, to finished concrete.
7. Contraction Joints shall not be less than 2-in in depth.
8. A radial driveway approach may be installed after obtaining approval from city.
9. Commercial Drive spacing shall be no closer than 100'-0" from centerline to centerline.

Approved By:  
  
 City Engineer, EMH&T Inc  
  
 City Service Director

STANDARD DIMENSIONS  
 FOR  
**INDUSTRIAL DRIVEWAY  
 APPROACH**

**CITY OF  
 GROVE CITY, OHIO**

STANDARD  
 CONSTRUCTION DRAWING

Revised		Drawing No.
February 2019		C-GC-42B