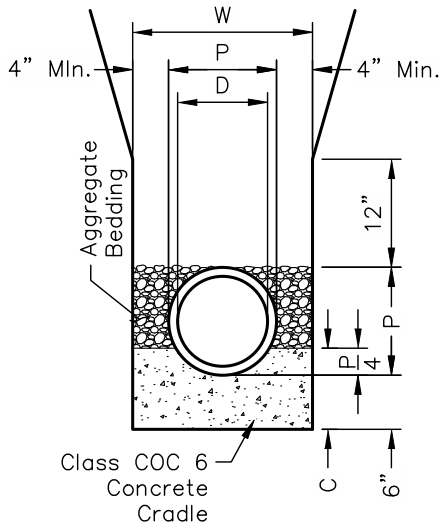
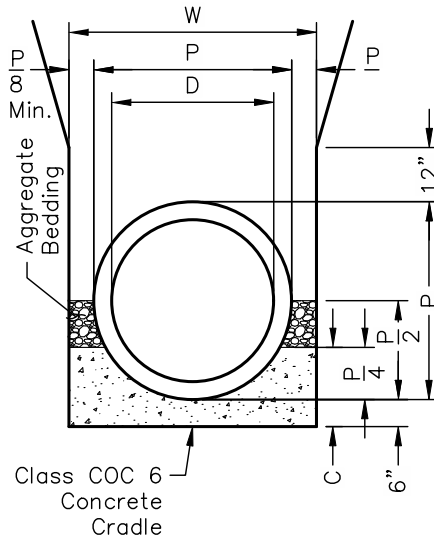


All requirements for trench construction, backfill, bedding and pavement replacement, noted on the standard drawing for Type I Bedding, (C-GC-26), shall apply for Type II Bedding except as modified by the following requirements.

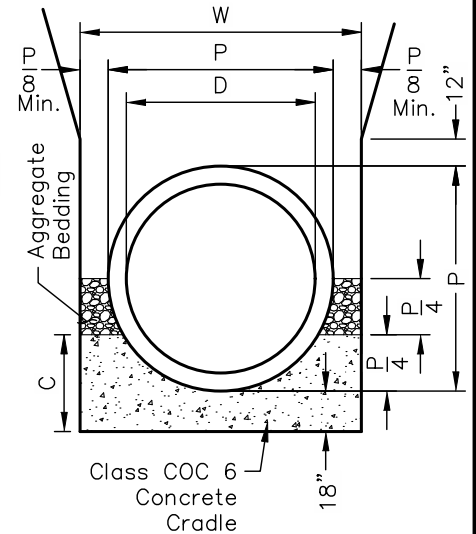
Type II Bedding consists of concrete cradle, plain or reinforced, concrete backing, or concrete encasement, including aggregate bedding as applicable. Concrete Backing extends to the conduit spring line, Encasement to the top of the conduit.



**TYPICAL TRENCH SECTION FOR
6" THRU 24" CONDUIT AND
CONDUIT IN ROCK**



**TYPICAL TRENCH SECTION FOR
27" THRU 60" CONDUIT**



**TYPICAL TRENCH SECTION FOR
66" CONDUIT AND LARGER**

Conduit D"	Min. P"	Min. W"	Min. C"	Conc. Cradle Cu.Yd.Per Lin. Ft.	Granular Bedding Cu.Yd.Per Lin. Ft.
6	7 ¹ / ₆	15 ⁷ / ₆	7 ⁵ / ₄	.029	.039
8	9 ³ / ₄	17 ³ / ₄	8 ⁷ / ₆	.035	.052
10	12	20	9	.041	.053
12	14 ⁵ / ₆	22 ⁵ / ₆	9 ³ / ₄	.047	.067
14	16 ¹¹ / ₆	24 ¹¹ / ₆	10 ¹¹ / ₄	.054	.081
15	17 ³ / ₆	25 ¹³ / ₆	10 ²⁹ / ₄	.057	.081
16	19	27	10 ³ / ₄	.060	.098
18	23	31	11 ³ / ₄	.073	.112
20	25 ¹ / ₄	33 ¹ / ₄	12 ⁵ / ₆	.080	.130
21	26 ¹ / ₂	34 ¹ / ₂	12 ⁵ / ₈	.084	.127
24	30	38	13 ¹ / ₂	.096	.142

Conduit D"	Min. P"	Min. W"	Min. C"	Conc. Cradle Cu.Yd.Per Lin. Ft.	Granular Bedding Cu.Yd.Per Lin. Ft.
27	33 ¹ / ₂	41 ⁷ / ₈	15 ¹ / ₈	.119	.020
30	37	46 ¹ / ₄	16 ³ / ₄	.145	.024
33	40 ¹ / ₂	50 ⁵ / ₈	18 ³ / ₈	.174	.029
36	44	55	20	.206	.034
42	51	63 ³ / ₄	23 ¹ / ₄	.279	.046
48	58	72 ¹ / ₂	26 ¹ / ₂	.361	.059
54	65	81 ¹ / ₄	29 ³ / ₄	.455	.074
60	72	90	33	.559	.091

Conduit D"	Min. P"	Min. W"	Min. C"	Conc. Cradle Cu.Yd.Per Lin. Ft.	Granular Bedding Cu.Yd.Per Lin. Ft.
66	73	91 ¹ / ₄	36 ¹ / ₄	.640	.094
72	86	107 ¹ / ₂	39 ¹ / ₂	.800	.130
78	93	116 ¹ / ₄	41 ¹ / ₄	.892	.152
84	100	125	43	.988	.176
90	107	133 ³ / ₄	44 ³ / ₄	1.087	.201

Approved By:

 City Engineer, EMH&T Inc

 City Service Director

STANDARD DIMENSIONS
FOR
TYPICAL TRENCH
SECTIONS WITH TYPE II
BEDDING

**CITY OF
GROVE CITY, OHIO**
 STANDARD
CONSTRUCTION DRAWING
 Revised February 2019 Drawing No. C-GC-27