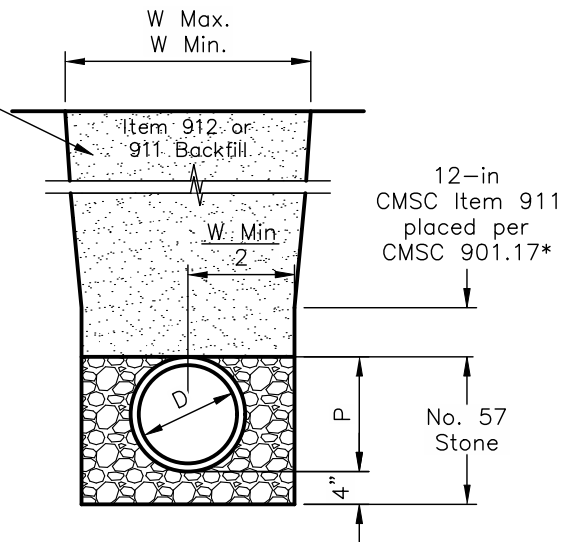
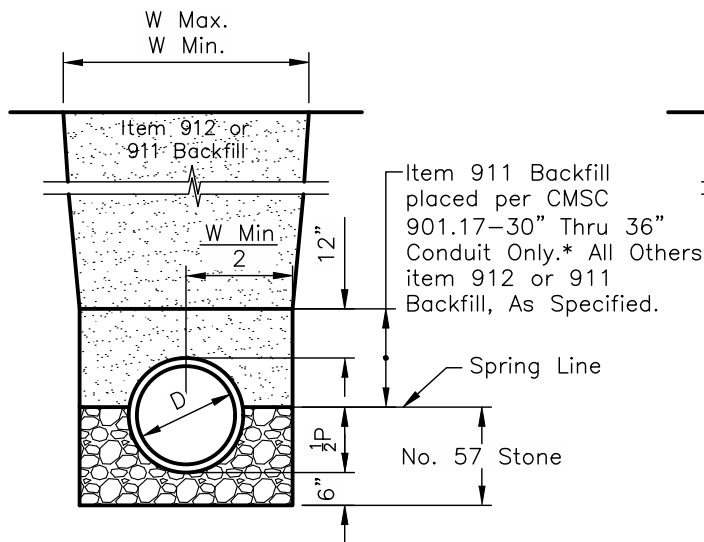


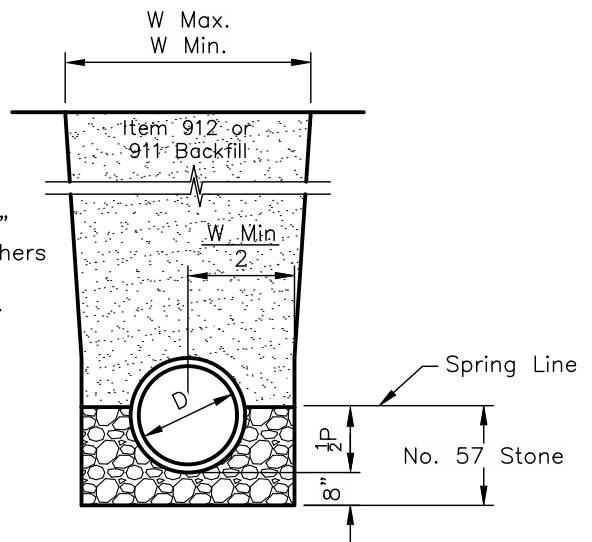
TYPICAL SECTION
6" THRU 16" RIGID CONDUIT
ALL FLEXIBLE CONDUIT



TYPICAL SECTION
18" THRU 27" RIGID CONDUIT



TYPICAL SECTION
30" THRU 36" RIGID CONDUIT



TYPICAL SECTION
42" & LARGER RIGID CONDUIT

* No. 57 Stone may be substituted without additional compensation

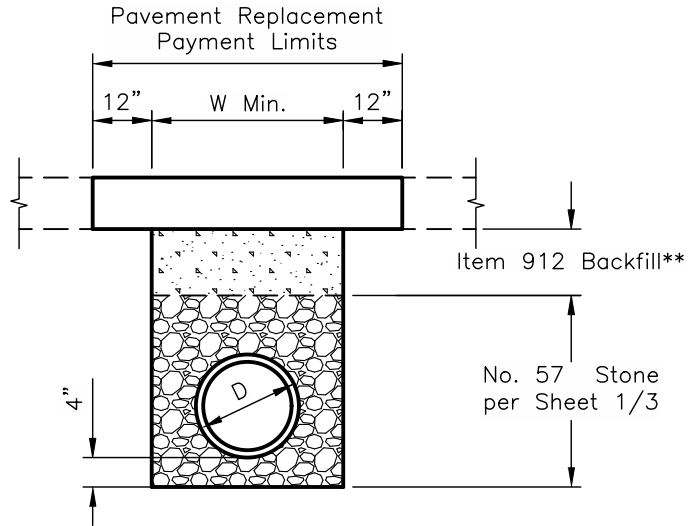
Approved By:

 City Engineer, EMH&T Inc

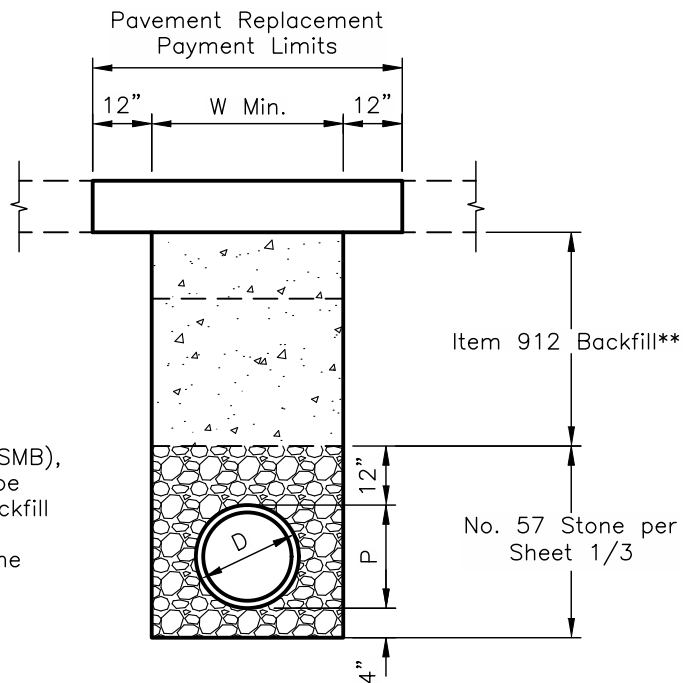
 City Service Director

STANDARD DIMENSIONS
FOR
TYPICAL TRENCH
SECTIONS WITH TYPE I
BEDDING

CITY OF GROVE CITY, OHIO		
STANDARD CONSTRUCTION DRAWING		
Revised	Sheet	Drawing No.
February 2019	1/3	C-GC-26



TYPICAL SECTION
RIGID CONDUIT UNDER EXISTING OR PROPOSED PAVEMENT



TYPICAL SECTION
FLEXIBLE CONDUIT UNDER EXISTING OR PROPOSED PAVEMENT

** Low-Strength Mortar Backfill (LSMB), Type II per CMSC Item 613 shall be substituted for CMSC Item 912 Backfill when under existing pavement, or otherwise with approval of or at the direction of the City.

Approved By:

 City Engineer, EMH&T Inc

 City Service Director

STANDARD DIMENSIONS
FOR
TYPICAL TRENCH
SECTIONS WITH TYPE I
BEDDING

CITY OF GROVE CITY, OHIO		
STANDARD CONSTRUCTION DRAWING		
Revised	Sheet	Drawing No.
February 2019	2/3	C-GC-26

TYPICAL TRENCH - NOTES

All item numbers shown refer to City of Columbus Construction and Material Specifications (CMSC) item numbers.

912 Backfill shall be granular material, conforming to Item 304 as directed by the Engineer compacted as stipulated in Item 912.03. In all cases granular material shall be used around all manholes, structures and cleanouts.

911 Backfill shall be natural soil free from stones larger than two inches across their greatest dimension, topsoil, vegetation, debris, rubbish or frozen material, compacted to 95% of its maximum laboratory dry weight. Placed per section 901.17

Aggregate for bedding is No. 57, Item 703.

The excavated trench width twelve inches (12-in) above the conduit may be increased without extra compensation.

Trench dams shall be constructed on all sanitary sewers in accordance with Item 901.11.

DIMENSIONS – INCHES											
CONDUIT		Min. W	Max. W					CONDUIT		Min. W	Max. W
D	P			D	P	W	W	D	P		
6	7-7/16	30	48	24	30	48	60	66	79	105	127
8	9-3/4	30	48	27	33-1/2	52	64	72	86	116	134
10	12	30	48	30	37	57	67	78	92	123	141
12	14-5/16	32	48	33	40-1/2	61	71	84	101	130	148
15	17-13/16	36	50	36	44	64	74	90	106	136	155
16	19	38	52	42	51	71	81	96	113	143	162
18	23	40	53	48	58	78	88	102	119	151	169
20	25-1/4	42	56	54	65	87	95	108	126	160	176
21	26-1/2	44	57	60	72	96	102				

Approved By:

 City Engineer, EMH&T Inc

 City Service Director

STANDARD DIMENSIONS
 FOR
 TYPICAL TRENCH
 SECTIONS WITH TYPE I
 BEDDING

**CITY OF
 GROVE CITY, OHIO**

STANDARD
 CONSTRUCTION DRAWING

Revised	Sheet	Drawing No.
February 2019	3/3	C-GC-26