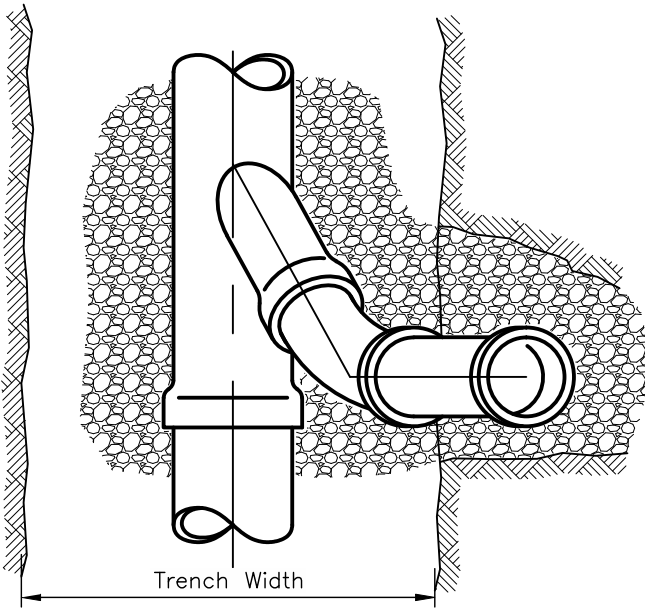
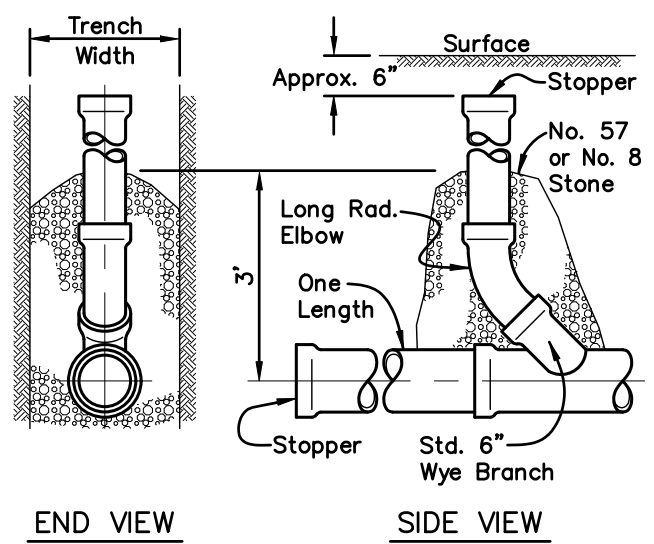


**RISER**



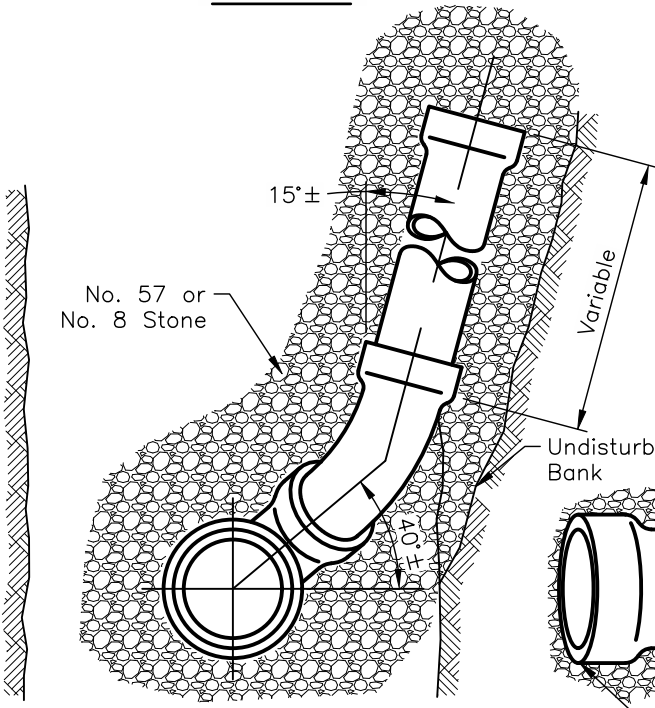
**PLAN VIEW**

**CLEANOUT**

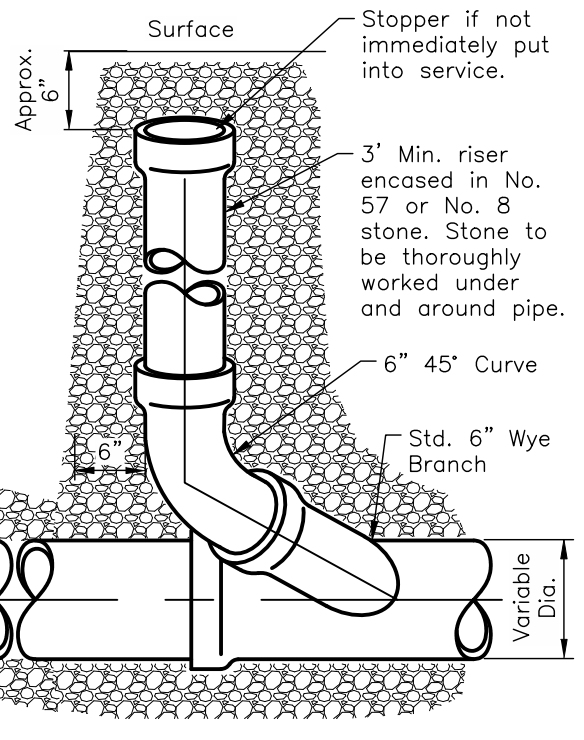


**END VIEW**

**SIDE VIEW**



**END VIEW**



**SIDE VIEW**

**DETAIL NOTES**

Risers shall be installed, when the depth exceeds 10-ft, from the lateral sewer fitting to a point 9-ft ±1-ft below existing or proposed surface elevation, whichever is higher, unless otherwise indicated on approved sewer plan. Riser extensions shall be a minimum of 3-ft in length.

Approved By:  
  
 City Engineer, EMH&T Inc  
  
 City Service Director

STANDARD DIMENSIONS  
 FOR  
**TYPICAL RISER AND  
 CLEANOUT**

<b>CITY OF GROVE CITY, OHIO</b>		
STANDARD CONSTRUCTION DRAWING		
Revised		Drawing No.
October 2015		C-GC-22