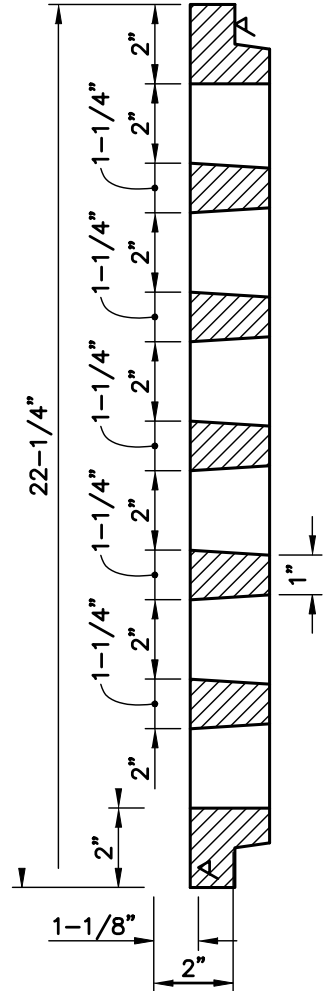


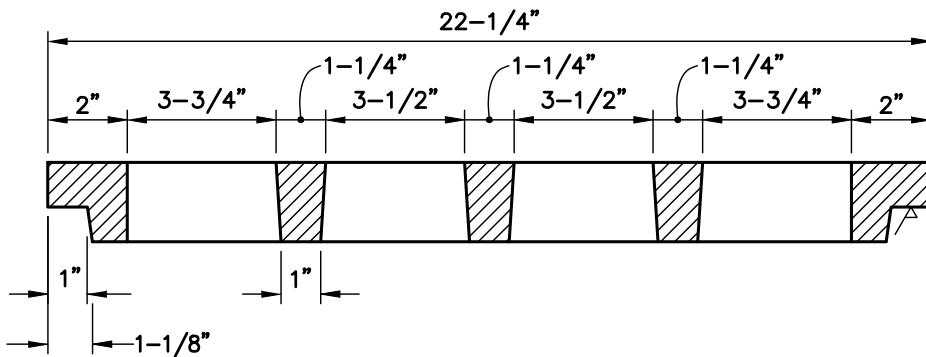
PLAN VIEW

DETAIL NOTES

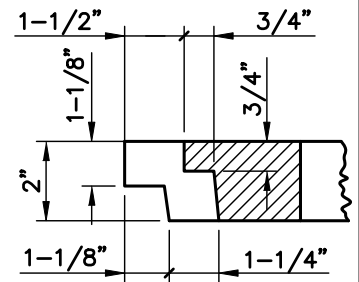
1. In walks or trails provide lid with ADA compliant openings.
2. "Dump No Waste, Drains to River" shall be cast into all castings.



SECTION B-B




SECTION A-A



**SECTION C-C
PICK HOLE**

Approved By:

 City Engineer, EMH&T Inc

 City Service Director

STANDARD DIMENSIONS
 FOR
 24" CASTING FOR
 GRATING MANHOLE LID

**CITY OF
 GROVE CITY, OHIO**

STANDARD
 CONSTRUCTION DRAWING

Revised
 October 2015

Drawing No.
 C-GC-18