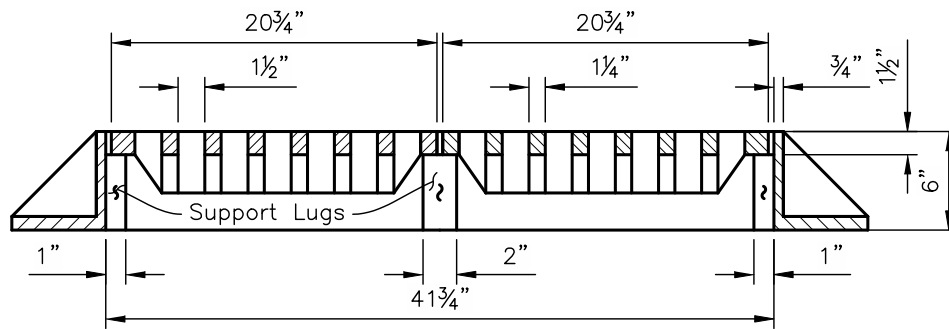
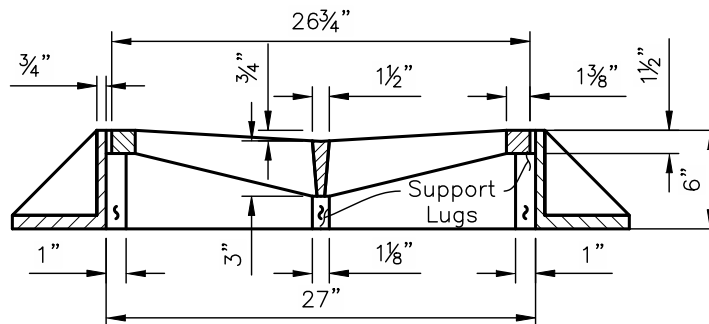


PLAN



SECTION A-A



SECTION B-B

NOTE:
Casting to be
Neenah R-3396
or approved equal.

NOTE:
Approximate
total weight is 800 lbs.

Approved By:

City Engineer, EMH&T Inc

City Service Director

STANDARD DIMENSIONS
FOR
**FRAME AND GRATES
FOR INVERTED
CROWN INLET**

**CITY OF
GROVE CITY, OHIO**

STANDARD
CONSTRUCTION DRAWING

Revised		Drawing No.
October 2015		C-GC-15