

SECTION B-B

Approved By:

[Signature]

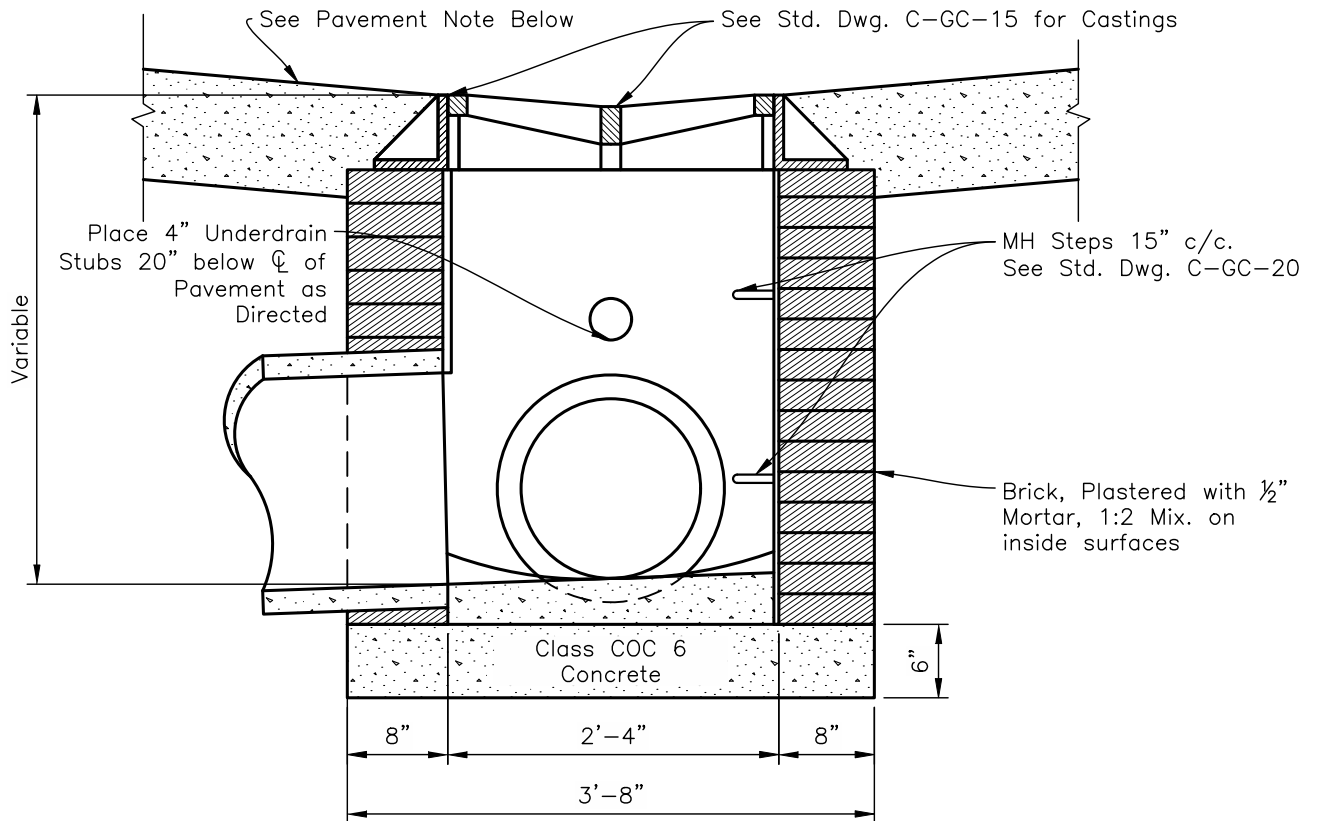
City Engineer, EMH&T Inc

[Signature]

City Service Director

STANDARD DIMENSIONS
FOR
**INVERTED
CROWN INLET**

CITY OF GROVE CITY, OHIO		
STANDARD CONSTRUCTION DRAWING		
Revised	Sheet	Drawing No.
February 2019	1/2	C-GC-10



SECTION A-A

The inlet bottom shall be shaped to provide a slope of 3-in to 4-in to the outlet pipe. The cross sectional form of the bottom and longitudinal slope is to be adapted to the location of the outlet pipe as directed.

Outlet pipe may be located in end corners or side wall. In either case the outlet pipe shall be directed towards the center of the inlet.

The existing pavement within an area approximately 4-ft outside the inlet opening or as otherwise ordered shall be cut out so that repaving may be shaped to meet the lip of the inlet opening as directed.

The existing pavement, where cut out for reshaping, shall be replaced with Class COC 6 Concrete or asphaltic concrete paving as ordered.

The backfilling within proposed paved areas shall be well tamped in layers not exceeding 4-in thick, loose measurement, or backfilled with Low Strength Mortar Backfill at the request of the City.

Precast concrete structure is allowable. Precast concrete shall meet the requirements of Columbus CMS Item 706.13 and marked with the inlet structure number.

Clay brick shall meet ASTM C-216, Grade S.W. Specification. Brick shall be clay, laid in 1:2 air entrained cement mortar.

Approved By:

 City Engineer, EMH&T Inc

 City Service Director

STANDARD DIMENSIONS
 FOR
**INVERTED
 CROWN INLET**

CITY OF GROVE CITY, OHIO		
STANDARD CONSTRUCTION DRAWING		
Revised	Sheet	Drawing No.
February 2019	2/2	C-GC-10