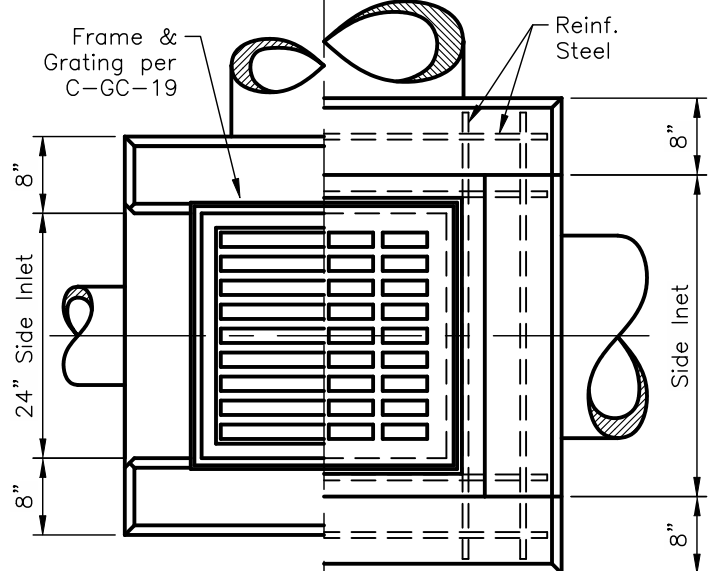


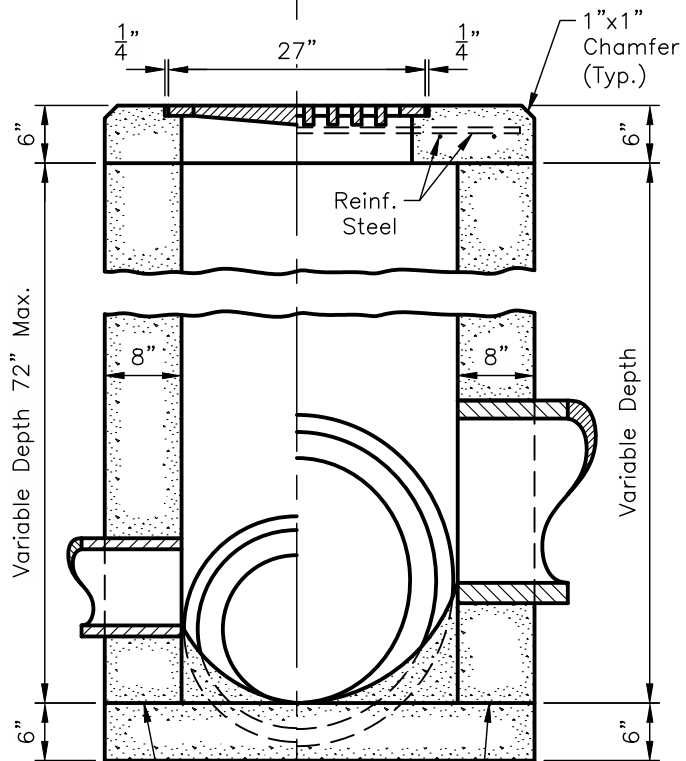
**Half 2x2**

**Half 3x3 & 4x4**



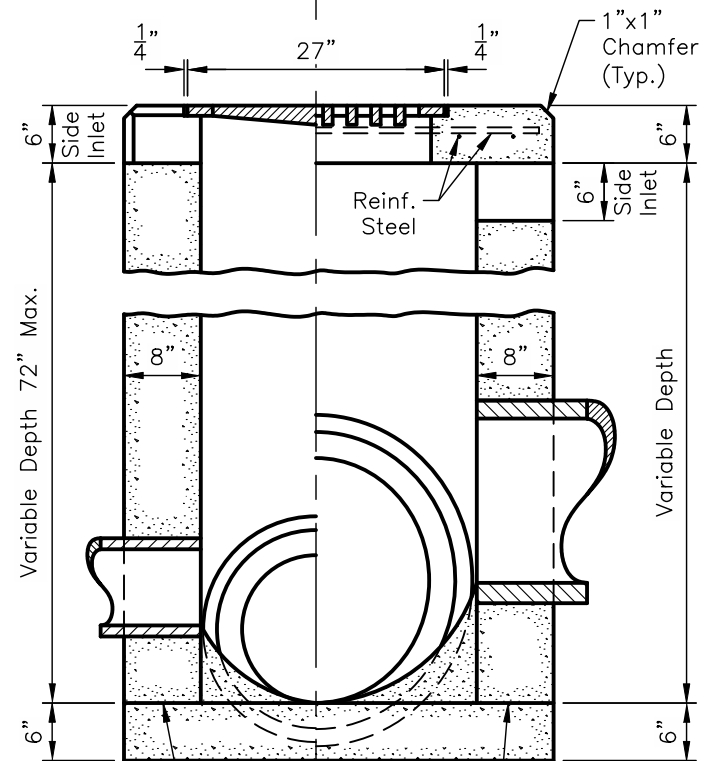
**Half 2x2  
with Side Inlets**

**Half 3x3 & 4x4  
with Side Inlets**



**Half 2x2**

**Half 3x3 & 4x4**



**Half 2x2  
with Side Inlets**

**Half 3x3 & 4x4  
with Side Inlets**

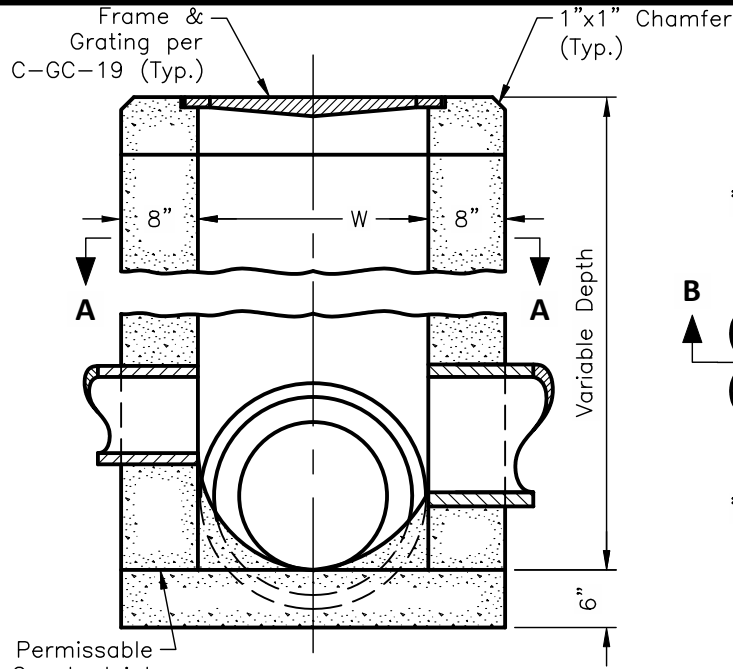
Permissible Const. Joint

Permissible Const. Joint

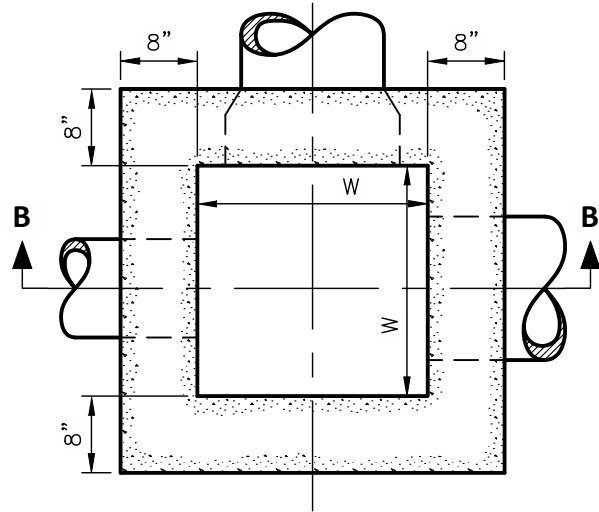
Approved By:  
  
 City Engineer, EMH&T Inc  
  
 City Service Director

STANDARD DIMENSIONS  
 FOR  
**STANDARD CATCH BASIN**

<b>CITY OF GROVE CITY, OHIO</b>		
STANDARD CONSTRUCTION DRAWING		
Revised	Sheet	Drawing No.
February 2019	1/2	C-GC-4



**SECTION B-B**



**SECTION A-A**

MAX. PIPE SIZE	
W	PIPE SIZE
2x2	12"-18"
3x3	21"-30"
4x4	33"-42"

SLAB REINFORCEMENT	
W	No. 4 Bars 6" Center/Center
3x3	8 Bars 2'-8" Long
4x4	12 Bars 3'-8" Long

**DETAIL NOTES**

1. WALLS: Cast-in-place units have a nominal thickness of 8-in and minimum thickness of 6-in. Precast walls shall have a minimum thickness of 6-in and be reinforced sufficiently to permit shipping and handling without damage. Precast tops shall have a minimum 6-in thickness.
2. CONCRETE: Cast-in-place concrete is to be Columbus Class COC 6. Precast concrete shall meet requirements of Columbus CMS Item 706.13 and be marked with catch basin number.
3. PRECAST BASE: If a precast base is used it shall be placed deep enough so that the top 6-in can be adjusted to provide the grate elevation specified in plans or to allow positive drainage.
4. MINIMUM DEPTH: Minimum depth shall be the outside diameter (O.D.) of the outlet pipe plus 4-in.
5. STEPS: Steps shall be provided where depth exceeds 4-ft and shall meet requirements of C-GC-20.
6. INLETS OVER 12-ft DEPTH: Precast or cast-in-place shall be reinforced with No. 4 bars on 12-in centers, vertically & 6-in centers horizontally. Bars shall have 2-in clearance from inside wall face.
7. REINFORCEMENT: Top reinforcing bars shall be No. 4 Bars on 6-in centers. (see Slab Reinforcement Chart).
8. Flowline of a pipe discharging water into a catch basin shall be arranged whenever possible to have the top of such pipe to be at least as high as the top of the outlet pipe.

Approved By:  
  
 City Engineer, EMH&T Inc  
  
 City Service Director

STANDARD DIMENSIONS  
 FOR  
**STANDARD CATCH BASIN**

**CITY OF GROVE CITY, OHIO**  
 STANDARD CONSTRUCTION DRAWING  
 Revised February 2019    Sheet 2/2    Drawing No. C-GC-4